

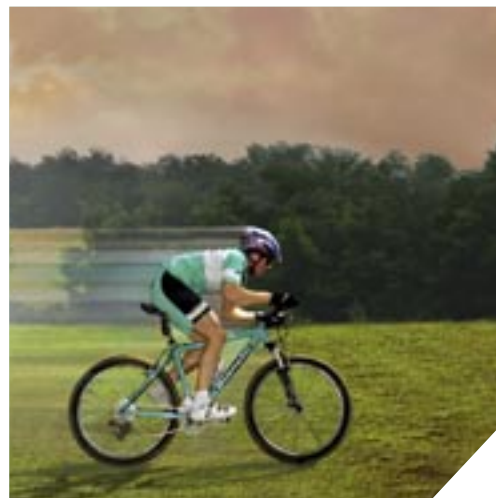
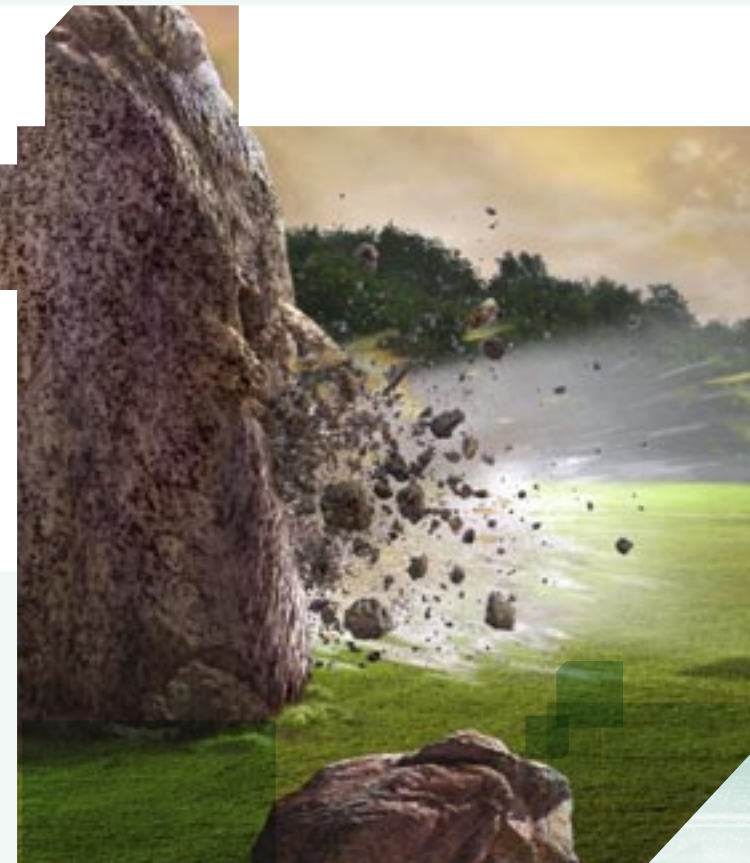


PASSIONE CELESTE TECNOLOGIA VINCENTE

**Bianchi**



2008



**MADE IN ITALY, MADE BY PEOPLE.**

**INDEX** → Yesterday\_03 → Today & Made in Italy\_04 → Technology & Bianchi Individual\_06 → ROAD Bike\_08 → HoC\_08 → B4P\_14 → C2C\_24 → Dama Bianca\_36 → Special\_40 → ROAD Frame\_48 → MTB Bike\_56 → Racing\_56 → Performance\_62 → Leisure\_72 → Dirt\_78 → MTB Frames\_80 → SPORT Bikes\_84 → Camaleonte\_84 → CITY Bikes\_88 → T-Road\_88 → Cross Terrain\_92 → S-Road\_96 → Technical Specifications\_104 → Colours\_114 → Bike Trace\_115 → Distributors\_116.

All information and all technical specifications are correct at time of press. Bianchi reserves the right to change them without prior warning. To further information, please see our web site [www.bianchi.com](http://www.bianchi.com) that it's always updated.

Bianchi recommends all cyclists to wear a helmet and to abide by the high way code.

## INSPIRED BY MAN SINCE 1885.

In 1885, the young Edoardo Bianchi opened a small mechanical workshop in via Nirone 7 in Milan, where he tried to develop his philosophy: to make high-quality bicycles with the best materials available. At the beginnings of the 1900, he extended the activity of the company also to motorised vehicles, dedicated not only to cycle racing, but also to motorcycling ones: on a Bianchi motorbike the star of Tazio Nuvolari shone. However, Edoardo Bianchi never abandoned the bicycle, taking care personally to maintain the relationships with the athletes with whom he had decided to link his brand. Champions such as Girardengo and "Tano" Belloni, raced and won, on Bianchi bikes and the Celeste jerseys became synonymous with victory.



After the bombings of the factories during the Second World War and the death of Edoardo Bianchi in 1946, the Bianchina 125 2T motorcycle became the symbol of the revival.

In cycling, the by now "legendary", Celeste jersey was on the shoulders of Fausto Coppi, who conquered 5 Giro d'Italia, 2 Tour de France, a World championship and even a World Hour Record at the mythical Vigorelli velodrome

in Milan. After Coppi, Gimondi won everything, even his debut Tour de France (1965). This was followed by victories in the Giro (1967) and the Vuelta (1968) and again in the Giro in 1969, until his World championship triumph in Barcelona in 1973 and one more Giro d'Italia, towards the end of his career (1976). More recently champions such as Moreno Argentin, Gianni Bugno, Mario Cipollini and Marco Pantani, "the Pirate", who in 1998 completed the prestigious double of Giro-Tour on his Bianchi bike, have won on Bianchi bicycles. The latest champion is Danilo Di Luca who, in his debut year on his Celeste bike conquered the first edition of the Pro Tour.

Bianchi has not only written pages of history in road racing: in fact, in 1984, with the appearance of the first "Mountain Bike", Bianchi started to dedicate itself to off-road

racing achieving many conspicuous results. The Nineties were the years of Bruno Zanchi and Dario Acquaroli, respectively MTB World Champions in the "Down Hill" and "Cross Country" specialities. The new Millennium has begun with many successes in competition from the Team MTB Bianchi: in 2000, José Hermida won the title of World Champion. 2001 and 2002, then the years 2004, 2005 and 2006 were, on the other hand, the years of Julien Absalon, who became World Champion, firstly in the Under 23 category, then in the Elite class, and also became Olympic Champion in Athens in 2004. The years pass, but the technology, the emotion and the Celeste passion remain and the enthusiasm of all the riders of the Gewiss Bianchi team is the confirmation. And so the story continues ....



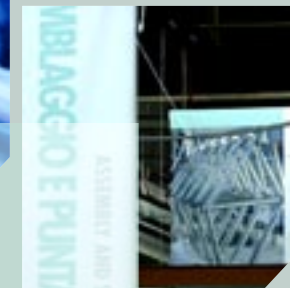
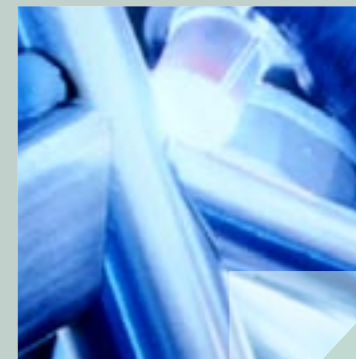
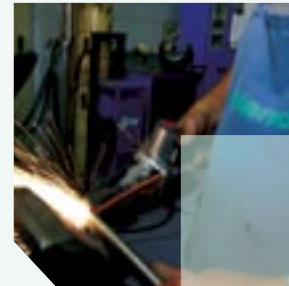
YESTERDAY



## MAN IS ALWAYS AT THE CORE.

The fabrication of high quality, valued bicycles needs passion, enthusiasm but above all technology and the right equipment. Bianchi has got all this: more than 120 years of history at the side of champions and cycling enthusiasts.

Bianchi Reparto Corse has produced bicycles which have won anywhere, on the roads around the world, in the most difficult and exciting competitions of the international calendar and each champion has left his indelible work, this is the soul you feel in Bianchi bicycles. All frames have to pass a long and strict check before being qualified for their specific



use, tests are done first on paper and then on the road, which truly has the final say.

Each single piece, forming the frame, is numbered and registered during each assembly phase up to the final testing, to ensure a valid and quality product. Operators are responsible for all the development stages of each single frame, adding that original, exclusive touch which makes Bianchi bicycles unique.

This procedure is not only for the top of the range bicycles, used by professional riders and the most demanding amateurs but also for the bicycle destined for a wider public audience.

At the end of the process, a quality certificate is printed, detailing the production history of each single frame.

All Bianchi bicycles are the result of the same passion for cycling and respect of the rider which induce Bianchi to adopt additional checks beyond the standard safety requirements.

For all these reasons, Bianchi is the world leader in the production of attractive, safe and quality bicycles, licensed after the most severe tests foreseen by the European regulations or roads.



## A TECHNOLOGY MADE BY MAN. FOR MAN.

Skilled riders are very demanding about their bikes. Riding on specifically designed and custom-made frames is a different experience, a unique sensation, which allows the rider to express, at best, his potentialities avoiding physical problems and still feeling comfortable and efficient even after many hours in the saddle. Frames, components and accessories should guarantee in the course of time comfort, riderability, control and pleasure. That's why Bianchi has decided to give life to the Individual project, which allows the customer to personalize his bicycle, making it a unique piece, both from the point of view of style and use. Models and materials, sizes and colours, components and groups: these are the possibilities of personalization, because Bianchi Individual wants to guarantee

the best performances during professional use, as well as during daily training.

Individual offers a system which lets the customers check their anthropometric measurements, directly at the factory or at an authorized dealer, and then Bianchi Reparto Corse, in Treviglio, can realize your custom-made frame. Sizes can be registered and submitted to Bianchi, even by the purchaser himself, through a proper form that can be downloaded online, in the section dedicated to this project, on [www.bianchi.com](http://www.bianchi.com).

S9 Matta, FG Lite, Pinella and 928 T-CUBE corresponding to titanium,



aluminium, steel and carbon: Individual covers 4 models which can also be made to measure to make the Specialissime of Bianchi Reparto Corse even more exclusive. The project can offer all our customers Bianchi's experience, technology and service, qualities only ever dedicated to the professional riders. In the historical Bianchi Reparto Corse dept, where the bikes of the greatest champions were manufactured and where nowadays technological jewels are still being produced, the painstaking care for detail makes the difference.

Tubing in different materials are cut, milled and prepared, one by one, for each single frame. The joints between each tube, previously treated in a ultrasound tub, are realized with pinpoint precision, so to guarantee a high-level TIG welding process and thus reliability, whereas the carbon tubes are bound together with a special structural aeronautic glue.



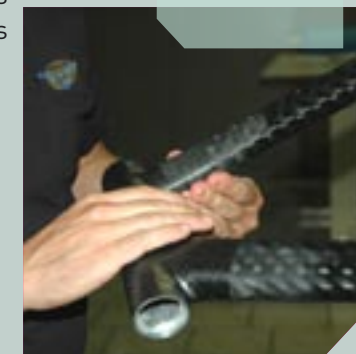
Performances are granted by the insertion of supports, made by means of unidirectional high-modulus carbon fibres in the lugs areas, heat treated at high pressure to make the frame rigid and resistant. Besides, it is possible to differentiate the insertion of carbon fibre supports in each single joint, thus allowing Bianchi Reparto Corse to produce specific frames suitable to the single rider or event.

Individual allows the customer to select the group most suitable to his needs: the different models can be assembled with either Campagnolo Record or Chorus groups or with Shimano Dura Ace or Ultegra.

Individual bikes are even more unique thanks to the possibility of personalizing them with the name of the owner and the emblem of the Bianchi

family, the stylized eagle which, from the beginning, has appeared on the head tube of the frame, tinged with gold for this special occasion.

As a further guarantee of authenticity and uniqueness of the bicycles born from the Bianchi Individual project, a certificate follows each piece. This proves how Bianchi, through the Individual Project, wants to emphasize its history of excellence adding a special touch to its products.



# ROAD

## HOC



Excellence with no compromise. Aiming high. The bicycles of the HoC category (Hors Categorie) have been conceived to enhance the riders' performances. The reactive geometries have their main features in lightness and rigidity: an unbeatable mix. There are two models of this family: 928 Carbon SL and FG Lite, in Alu Carbon and the classic version made entirely from aluminium. The 928 Carbon SL is the pinnacle with regards to carbon and metallic alloys: the monocoque frame, weighing only 860 grams in a medium size, is characterized by a unique and essential design, "tough" in the most stressed area and light where needed. The high modulus fibres are implemented by nanotechnology and by the unidirectional Carbon Woven. Nanotechnology represents a step forward in increasing reliability and mechanical resistance: the special additives, mixed with the resins, used to bind the fibres, allow us to obtain a more compact structure, without increasing the weight of the frame and at the same time enhancing agility and reactivity. The frame is even more rigid, light and reactive to stresses. Besides, the new rear dropouts, made from carbon, are stronger, yet lighter. The FG, named after the champion Felice Gimondi, is in Hyperalloy aluminium, the best among the metallic alloys. The tubing is triple butted, ultrathin and ultralight, featuring the exclusive Reparto Corse design. Diameters are classic and shapes traditional and light. The bottom bracket area is strengthened by means of the structural foam injection: a reliable system patented by Bianchi. The headset, fully integrated, is lighter than ever. Hors Category: few grams to achieve excellence.

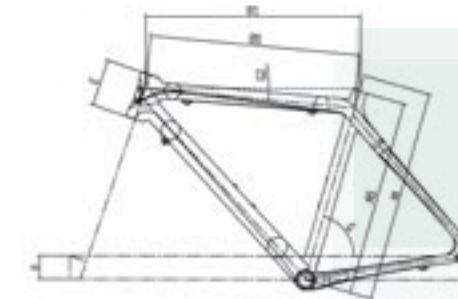
HOC  
HORS CATEGORIE

### 928 Carbon SL CAMPAGNOLO RECORD 10 SP DOUBLE

CODE: Y8B01  
COLOUR: EF  
GROUP: CAMPAGNOLO RECORD  
CRANKSET: CAMPAGNOLO RECORD CARBON  
HANDLEBAR: DEDALEMENTI CAMPIONE - CARBON  
STEM: DEDALEMENTI FORZA - CARBON FIBER  
SEATPOST: DEDALEMENTI BLACK STICK - CARBON  
WHEELS: ZIPP 404 COMPOSITE TUBULAR  
WEIGHT: AVAILABLE ON OUR WEB SITE

ALSO AVAILABLE IN COLOUR EW  
AND WITH CAMPAGNOLO CHORUS 10SP DOUBLE Y8B02

MIS. SP.	41	45	51	55	0	E	G	S2
500	476	525	512	58	115	74.5"	8"	
530	500	525	522	68	136	74"	8"	
558	529	538	537	68	145	73.5"	9"	
578	548	568	548	68	160	73.5"	9"	
598	568	575	562	68	168	72"	4"	
618	588	585	572	68	200	72.5"	4"	



→ CARBON MONOCOQUE DESIGN → CARBON NANO TECHNOLOGY → UNIDIRECTIONAL CARBON WOVEN → HEADTUBE WITH FULL INTEGRATED HEADSEAT SYSTEM → NEW DROPOUTS WITH LOWER WEIGHT → OVERSIZED BB FOR IMPROVED RIGIDITY  
→ PRECISE MONOCOQUE CONSTRUCTION PROCESS → EXCLUSIVE REPARTO CORSE TUBING DESIGN → SUPER LIGHT → RACE PERFORMANCE → FAST AND EXCELLENT IN REACTION

# ROAD

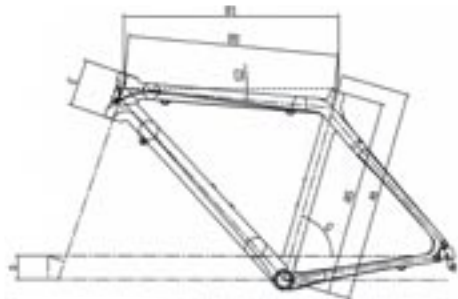


**928 Carbon SL**  
SHIMANO DURA ACE  
10 SP DOUBLE

CODE: Y8B16  
COLOUR: EW  
GROUP: SHIMANO DURA ACE  
CRANKSET: FSA K-FORCE LIGHT CARBON  
HANDLEBAR: DEDALEMENTI CAMPIONE - CARBON  
STEM: DEDALEMENTI FORZA - CARBON FIBER  
SEATPOST: DEDALEMENTI BLACK STICK - CARBON  
WHEELS: MAVIC KSYRIUM SL  
WEIGHT: AVAILABLE ON OUR WEB SITE

ALSO AVAILABLE IN COLOUR EF

MIS. S.P.								
#1	#5	#1	#5	0	E	G	#2	
500	470	525	512	58	115	74.5"	8"	
530	500	535	522	66	130	74"	8"	
558	529	558	537	66	145	73.5"	9"	
578	548	568	548	66	160	73.5"	9"	
590	560	575	562	66	168	73"	4"	
618	580	585	572	66	200	72.5"	4"	

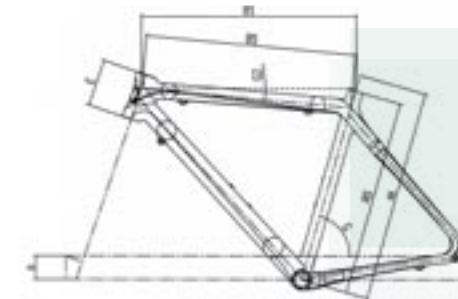


**928 Carbon SL**  
SHIMANO ULTEGRA SL  
10 SP COMPACT

CODE: Y8B53  
COLOUR: EF  
GROUP: SHIMANO ULTEGRA SL  
CRANKSET: FSA SL - K PRO CARBON  
HANDLEBAR: DEDALEMENTI NEWTON  
STEM: DEDALEMENTI ZERO 100  
SEATPOST: DEDALEMENTI MAGIC STICK - CARBON  
WHEELS: MAVIC KSYRIUM ELITE  
WEIGHT: AVAILABLE ON OUR WEB SITE

ALSO AVAILABLE IN COLOUR EW

MIS. S.P.								
#1	#5	#1	#5	0	E	G	#2	
500	470	525	512	58	115	74.5"	8"	
530	500	535	522	66	130	74"	8"	
558	529	558	537	66	145	73.5"	9"	
578	548	568	548	66	160	73.5"	9"	
590	560	575	562	66	168	73"	4"	
618	580	585	572	66	200	72.5"	4"	



→ CARBON MONOCOQUE DESIGN → CARBON NANO TECHNOLOGY → UNIDIRECTIONAL CARBON WOVEN → HEADTUBE WITH FULL INTEGRATED HEADSEAT SYSTEM → NEW DROPOUTS WITH LOWER WEIGHT → OVERSIZED BB FOR IMPROVED RIGIDITY  
→ PRECISE MONOCOQUE CONSTRUCTION PROCESS → EXCLUSIVE REPARTO CORSE TUBING DESIGN → SUPER LIGHT → RACE PERFORMANCE → FAST AND EXCELLENT IN REACTION

→ CARBON MONOCOQUE DESIGN → CARBON NANO TECHNOLOGY → UNIDIRECTIONAL CARBON WOVEN → HEADTUBE WITH FULL INTEGRATED HEADSEAT SYSTEM → NEW DROPOUTS WITH LOWER WEIGHT → OVERSIZED BB FOR IMPROVED RIGIDITY  
→ PRECISE MONOCOQUE CONSTRUCTION PROCESS → EXCLUSIVE REPARTO CORSE TUBING DESIGN → SUPER LIGHT → RACE PERFORMANCE → FAST AND EXCELLENT IN REACTION





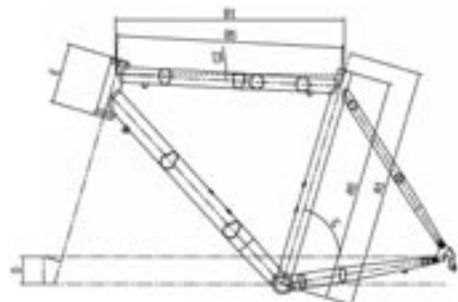
**FG Lite Alu**

CAMPAGNOLO RECORD  
10 SP DOUBLE

- CODE: Y8BA1
- COLOUR: CK
- GROUP: CAMPAGNOLO RECORD
- CRANKSET: CAMPAGNOLO RECORD CARBON
- HANDLEBAR: DEDALEMENTI CAMPIONE - CARBON
- STEM: DEDALEMENTI FORZA - CARBON FIBER
- SEATPOST: DEDALEMENTI BLACK STICK - CARBON
- WHEELS: CAMPAGNOLO EURUS
- WEIGHT: AVAILABLE ON OUR WEB SITE

ALSO AVAILABLE IN COLOUR 6W

HOC		HOC		HOC		HOC		HOC	
H1	H5	H1	H5	D	E	G	G2	H1	H5
450	440	520	505	58	115	74.5°	7°	450	440
490	460	523	509	58	115	74.5°	7°	490	460
530	470	524	512	58	115	74.5°	6°	530	470
518	488	526	515	58	115	74°	5°	518	488
520	490	530	509	63	115	74°	4.5°	520	490
530	500	535	523	68	130	74°	5.5°	530	500
540	510	540	530	68	130	74°	4.5°	540	510
550	520	550	538	68	145	73.5°	5°	550	520
560	530	555	545	68	145	73.5°	4°	560	530
570	540	560	550	68	150	73.5°	5°	570	540
580	550	570	560	68	150	73°	4°	580	550
590	560	575	563	68	160	72°	5°	590	560
600	570	580	570	68	160	72°	4°	600	570
618	580	585	572	68	200	72.5°	5°	618	580
620	590	590	579	68	200	72.5°	4°	620	590
630	600	595	583	68	210	72.5°	4.5°	630	600



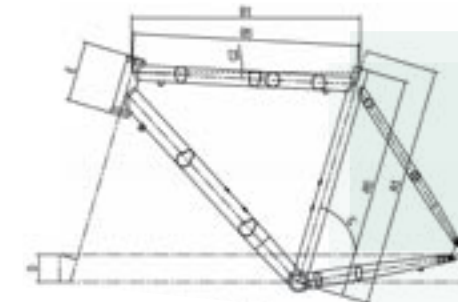
**FG Lite Alu**

SHIMANO ULTEGRA SL  
10 SP COMPACT

- CODE: Y8BA2
- COLOUR: 6W
- GROUP: SHIMANO ULTEGRA SL
- CRANKSET: FSA SL-K PRO CARBON
- HANDLEBAR: DEDALEMENTI NEWTON
- STEM: DEDALEMENTI ZERO 100
- SEATPOST: DEDALEMENTI MAGIC STICK - CARBON
- WHEELS: MAVIC KSYRIUM ELITE
- WEIGHT: AVAILABLE ON OUR WEB SITE

ALSO AVAILABLE IN COLOUR CK

HOC		HOC		HOC		HOC		HOC	
H1	H5	H1	H5	D	E	G	G2	H1	H5
450	440	520	505	58	115	74.5°	7°	450	440
490	460	523	509	58	115	74.5°	7°	490	460
530	470	524	512	58	115	74.5°	6°	530	470
518	488	526	515	58	115	74°	5°	518	488
520	490	530	509	63	115	74°	4.5°	520	490
530	500	535	523	68	130	74°	5.5°	530	500
540	510	540	530	68	130	74°	4.5°	540	510
550	520	550	538	68	145	73.5°	5°	550	520
560	530	555	545	68	145	73.5°	4°	560	530
570	540	560	550	68	150	73.5°	5°	570	540
580	550	570	560	68	150	73°	4°	580	550
590	560	575	563	68	160	72°	5°	590	560
600	570	580	570	68	160	72°	4°	600	570
618	580	585	572	68	200	72.5°	5°	618	580
620	590	590	579	68	200	72.5°	4°	620	590
630	600	595	583	68	210	72.5°	4.5°	630	600



# ROAD

## B4P

The B4P, Born for Performance, frames were designed for you to dig deep into the heart of your performance: these frames offer high performance on any type of road, and yet they are versatile by nature. They are intended for competitors, and are capable of supporting them during their favourite sport. Light, but not extremely so, they guarantee rigidity and an aggressive response. The range is complete: carbon, aluminium and titanium. All offer specific solutions for any technical requirement. The 928 Carbon T-Cube is completely new, improved in terms of sizes and enhanced at the performances level. Lugs disappear in favour of the "Tube to Tube" technology, made in Bianchi. The wrapped joints completely change the design of the bottom bracket. The resulting weight is also worthy of a mention: the medium size weighs just 1 kg. Even the graphics have been renewed to allow the 12K fibre to show through.

The 1885 Alu Carbon, on the other hand, is unchanged: the 7000 series triple-butted alloy is a guarantee. The Hydroforming technology combined with the completely smooth TIG welding of the down tube and chainstay is an aesthetic plus. Comfort has been improved thanks to the ultra carbon high modulus employed in the rear stays.

And then there is the S9 Matta frame, made in titanium, the king of materials. Full 3Al/2,5V double-butted Titanium alloy, ultra light and pure, without carbon rear stays. The design is a Reparto Corse exclusive, made in TREVIGLIO by the hands of Italian craftsmen. The headset is completely integrated, light and rigid, while the bottom bracket area is re-enforced with Structural Foam Injection. Could you want for anything more?



B4P

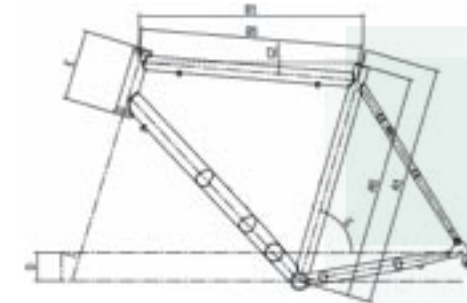
BORN FOR PERFORMANCE

### S9 Matta Titanium

CAMPAGNOLO RECORD  
10 SP DOUBLE

CODE: Y8B99  
 COLOUR: TH  
 GROUP: CAMPAGNOLO RECORD  
 CRANKSET: CAMPAGNOLO RECORD CARBON  
 HANDLEBAR: DEDA ELEMENTI ELECTA CARBON  
 STEM: DEDA ELEMENTI FORZA - CARBON FIBER  
 SEATPOST: DEDA ELEMENTI BLACK STICK - CARBON  
 WHEELS: CAMPAGNOLO EURUS  
 WEIGHT: AVAILABLE ON OUR WEB SITE

HTS. SH.P	R1	R2	R3	R4	R5	R6	R7	R8	R9	R10
490	400	523	500	58	115	74.5"	7"			
500	470	524	512	58	115	74.5"	8"			
510	480	525	515	58	115	74"	7"			
520	490	530	520	63	115	74"	4.5"			
530	500	535	523	68	130	74"	5.5"			
540	510	540	530	68	130	74"	4.5"			
550	520	550	530	68	145	73.5"	7"			
560	530	555	545	68	145	73.5"	4"			
570	540	560	545	68	150	73.5"	5"			
580	550	570	560	68	150	73"	4"			
590	560	575	562	68	160	73"	5"			
600	570	580	565	68	160	73"	4"			
610	580	585	571	68	160	72.5"	5"			
620	590	590	575	68	160	72.5"	4"			
630	600	595	583	68	158	72.5"	4"			



→ FULL TITANIUM → CERTIFIED 3Al/2,5V ALLOY BASE MATERIAL, DOUBLE BUTTED, SUPER LIGHT ALLOY → FULL INTEGRATED HEADSET SYSTEM → EXCLUSIVE REPARTO CORSE TUBING DESIGN → STRUCTURAL FOAM INJECTION → RACE PERFORMANCE  
 → BEST RIGIDITY VS. COMFORT → TITANIUM ABSORBS VIBRATIONS EXCELLENT → CUSTOM SIZE GEOMETRY

# ROAD





**B4P**  
BORN FOR PERFORMANCE

**928 Carbon T - CUBE**  
CAMPAGNOLO RECORD  
10 SP DOUBLE

CODE: Y8B59  
COLOUR: CK  
GROUP: CAMPAGNOLO RECORD  
CRANKSET: CAMPAGNOLO RECORD CARBON  
HANDLEBAR: DEDALEMENTI ELECTA CARBON  
STEM: DEDALEMENTI FORZA - CARBON FIBER  
SEATPOST: DEDALEMENTI BLACK STICK - CARBON  
WHEELS: CAMPAGNOLO EURUS  
WEIGHT: AVAILABLE ON OUR WEB SITE

ALSO AVAILABLE IN COLOUR 6W

MIS-SLIP		81	85	0	E	G	Q2
490	480	520	505	50	115	74.5"	7"
510	490	525	515	50	115	74"	5"
530	500	535	522	50	130	74"	6"
550	520	550	537	50	145	73.5"	5"
570	540	560	548	50	160	73.5"	5"
590	560	575	562	50	180	72"	5"
610	580	595	579	50	200	72.5"	5"
630	600	615	595	50	210	72.5"	4"



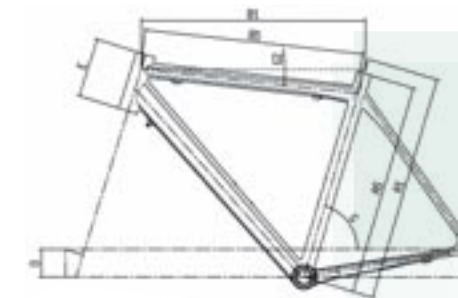
**B4P**  
BORN FOR PERFORMANCE

**928 Carbon T - CUBE**  
SHIMANO DURA ACE  
10 SP DOUBLE

CODE: Y8B03  
COLOUR: 6W  
GROUP: SHIMANO DURA ACE  
CRANKSET: FSA K-FORCE LIGHT CARBON  
HANDLEBAR: DEDALEMENTI ELECTA CARBON  
STEM: DEDALEMENTI FORZA - CARBON FIBER  
SEATPOST: DEDALEMENTI BLACK STICK - CARBON  
WHEELS: MAVIC KSYRIUM SL  
WEIGHT: AVAILABLE ON OUR WEB SITE

ALSO AVAILABLE IN COLOUR CK

MIS-SLIP		81	85	0	E	G	Q2
490	480	520	505	50	115	74.5"	7"
510	490	525	515	50	115	74"	5"
530	500	535	522	50	130	74"	6"
550	520	550	537	50	145	73.5"	5"
570	540	560	548	50	160	73.5"	5"
590	560	575	562	50	180	72"	5"
610	580	595	579	50	200	72.5"	5"
630	600	615	595	50	210	72.5"	4"



→ NEW CARBON TUBE TO TUBE TECHNOLOGY → HEADTUBE WITH FULL INTEGRATED HEADSEAT SYSTEM → OVERSIZED BB FOR IMPROVED RIGIDITY → 12K CARBON WOVEN TECHNOLOGY → EXCLUSIVE REPARTO CORSE TUBING DESIGN  
→ RACE PERFORMANCE → BEST RIGIDITY VS. WEIGHT

→ NEW CARBON TUBE TO TUBE TECHNOLOGY → HEADTUBE WITH FULL INTEGRATED HEADSEAT SYSTEM → OVERSIZED BB FOR IMPROVED RIGIDITY → 12K CARBON WOVEN TECHNOLOGY → EXCLUSIVE REPARTO CORSE TUBING DESIGN  
→ RACE PERFORMANCE → BEST RIGIDITY VS. WEIGHT



B4P

BORN FOR PERFORMANCE

**928 Carbon T- CUBE**

CAMPAGNOLO CHORUS  
10 SP DOUBLE

CODE: Y8B19  
COLOUR: CK  
GROUP: CAMPAGNOLO CHORUS  
CRANKSET: CAMPAGNOLO CHORUS CARBON  
HANDLEBAR: DEDAELEMENTI ELECTA CARBON  
STEM: DEDAELEMENTI ZERO  
SEATPOST: DEDAELEMENTI MAGIC STICK - CARBON  
WHEELS: CAMPAGNOLO ZONDA  
WEIGHT: AVAILABLE ON OUR WEB SITE

ALSO AVAILABLE IN COLOUR 6W

H15-5L.P		81	85	0	E	G	Q2
430	450	520	585	50	115	74.5"	7"
510	490	525	515	50	115	74"	6"
530	500	535	522	50	130	74"	6"
550	520	550	537	50	145	73.5"	5"
570	540	560	548	50	150	73.5"	5"
590	560	575	562	50	160	73"	5"
610	580	585	578	50	200	72.5"	5"
630	600	595	575	50	210	72.5"	4"



→ NEW CARBON TUBE TO TUBE TECHNOLOGY → HEADTUBE WITH FULL INTEGRATED HEADSEAT SYSTEM → OVERSIZED BB FOR IMPROVED RIGIDITY → 12K CARBON WOVEN TECHNOLOGY → EXCLUSIVE REPARTO CORSE TUBING DESIGN  
→ RACE PERFORMANCE → BEST RIGIDITY VS. WEIGHT

B4P

BORN FOR PERFORMANCE

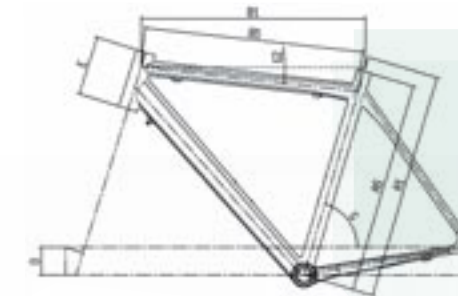
**928 Carbon T- CUBE**

SHIMANO ULTEGRA SL  
10 SP COMPACT

CODE: Y8B05  
COLOUR: 6W  
GROUP: SHIMANO ULTEGRA SL  
CRANKSET: FSA SL-K PRO CARBON  
HANDLEBAR: DEDAELEMENTI NEWTON  
STEM: DEDAELEMENTI ZERO 100  
SEATPOST: DEDAELEMENTI MAGIC STICK - CARBON  
WHEELS: MAVIC KSYRIUM ELITE  
WEIGHT: AVAILABLE ON OUR WEB SITE

ALSO AVAILABLE IN COLOUR CK  
AND WITH SHIMANO ULTEGRA 10 SP DOUBLE Y8B04

H15-5L.P		81	85	0	E	G	Q2
430	450	520	585	50	115	74.5"	7"
510	490	525	515	50	115	74"	6"
530	500	535	522	50	130	74"	6"
550	520	550	537	50	145	73.5"	5"
570	540	560	548	50	150	73.5"	5"
590	560	575	562	50	160	73"	5"
610	580	585	578	50	200	72.5"	5"
630	600	595	575	50	210	72.5"	4"



→ NEW CARBON TUBE TO TUBE TECHNOLOGY → HEADTUBE WITH FULL INTEGRATED HEADSEAT SYSTEM → OVERSIZED BB FOR IMPROVED RIGIDITY → 12K CARBON WOVEN TECHNOLOGY → EXCLUSIVE REPARTO CORSE TUBING DESIGN  
→ RACE PERFORMANCE → BEST RIGIDITY VS. WEIGHT

**B4P**  
BORN FOR PERFORMANCE

**1885 TB Hydro/Carbon**  
CAMPAGNOLO CENTAUR  
10 SP DOUBLE

CODE: Y8B42  
COLOUR: CA  
GROUP: CAMPAGNOLO CENTAUR  
CRANKSET: FSA TEAM ISSUE  
HANDLEBAR: DEDA ELEMENTI SFIDA CARBON  
STEM: RC DA-42FCF ALU/CARBON  
SEATPOST: RC SP-928-G CARBON  
WHEELS: CAMPAGNOLO KHAMSIN  
WEIGHT: AVAILABLE ON OUR WEB SITE

ALSO AVAILABLE IN COLOUR AW AND GW

HTS SLF		81	85	91	95	0	E	G	02
490	490	523	518	50	138	74.5"	0"		
518	490	526	517	50	138	74"	0"		
530	500	535	524	50	135	74"	0"		
550	520	550	536	50	140	73.5"	0"		
570	540	568	549	50	155	73.5"	4"		
590	560	575	563	50	175	73"	4"		
610	580	595	572	50	195	72.5"	4"		
630	600	595	585	50	210	72.5"	4"		



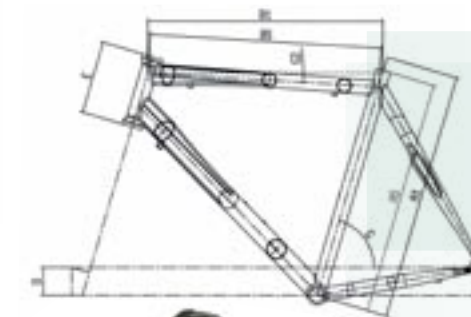
**B4P**  
BORN FOR PERFORMANCE

**1885 TB Hydro/Carbon**  
SHIMANO ULTEGRA  
10 SP COMPACT

CODE: Y8B41  
COLOUR: AW  
GROUP: SHIMANO ULTEGRA  
CRANKSET: SHIMANO FC-R700  
HANDLEBAR: DEDA ELEMENTI SFIDA CARBON  
STEM: RC DA-42FCF ALU/CARBON  
SEATPOST: RC SP-928-G CARBON  
WHEELS: MAVIC AKSIUM  
WEIGHT: AVAILABLE ON OUR WEB SITE

ALSO AVAILABLE IN COLOUR CA AND GW  
AND WITH SHIMANO ULTEGRA 10 SP DOUBLE Y8B38,  
SHIMANO 105 10 SP DOUBLE Y8B43,  
SHIMANO 105 10 SP TRIPLE Y8B44

HTS SLF		81	85	91	95	0	E	G	02
490	490	523	518	50	138	74.5"	0"		
518	490	526	517	50	138	74"	0"		
530	500	535	524	50	135	74"	0"		
550	520	550	536	50	140	73.5"	0"		
570	540	568	549	50	155	73.5"	4"		
590	560	575	563	50	175	73"	4"		
610	580	595	572	50	195	72.5"	4"		
630	600	595	585	50	210	72.5"	4"		



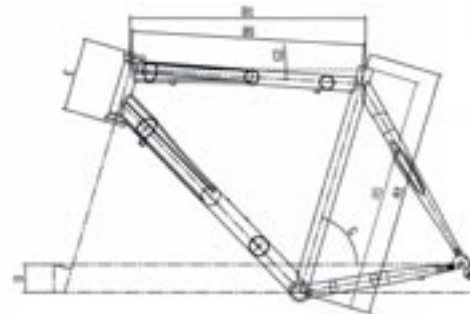
→ TRIPLE BUTTED ALUMINIUM ALLOY (7000 SERIES) → HYDROFORMED DOWN TUBE AND TOP TUBE → EXCLUSIVE REPARTO CORSE TUBING DESIGN → CARBON SUPER-HIGH MODULS SEAT STAYS → SPECIAL ANTI-CORROSION SURFACE TREATMENT  
→ ALL ROUND RACE PERFORMANCE → HYDROFORMED TUBES WHICH INCREASE THE STIFFNESS → THANKS TO THE RIGIDITY THE FRAME RESPONDS QUICKLY ON ALL "MOVES" → COMFORTABLE THANKS TO THE CARBON SEAT STAY

→ TRIPLE BUTTED ALUMINIUM ALLOY (7000 SERIES) → HYDROFORMED DOWN TUBE AND TOP TUBE → EXCLUSIVE REPARTO CORSE TUBING DESIGN → CARBON SUPER-HIGH MODULS SEAT STAYS → SPECIAL ANTI-CORROSION SURFACE TREATMENT  
→ ALL ROUND RACE PERFORMANCE → HYDROFORMED TUBES WHICH INCREASE THE STIFFNESS → THANKS TO THE RIGIDITY THE FRAME RESPONDS QUICKLY ON ALL "MOVES" → COMFORTABLE THANKS TO THE CARBON SEAT STAY

**1885 TB Hydro/Carbon**  
 CAMPAGNOLO VELOCE  
 10 SP DOUBLE

CODE: Y8B23  
 COLOUR: GW  
 GROUP: CAMPAGNOLO VELOCE  
 CRANKSET: CAMPAGNOLO VELOCE  
 HANDLEBAR: DEDA ELEMENTI SFIDA CARBON  
 STEM: RC DA-42FCF ALU/CARBON  
 SEATPOST: RC SP-928-G CARBON  
 WHEELS: CAMPAGNOLO KHAMSIN  
 WEIGHT: AVAILABLE ON OUR WEB SITE  
 ALSO AVAILABLE IN COLOUR CA AND AW

MIS. S.P.									
H1	H2	H3	H4	H5	H6	H7	H8	H9	H10
430	460	523	558	58	138	74.2"	8"		
510	480	525	517	58	138	74"	5"		
530	500	525	524	60	125	74"	5"		
550	520	528	520	60	140	73.5"	5"		
570	540	508	543	60	155	73.5"	4"		
590	560	575	563	60	175	72"	4"		
610	580	585	572	60	195	72.5"	4"		
630	600	595	583	60	210	72.5"	4"		



→ TRIPLE BUTTED ALUMINIUM ALLOY (7000 SERIES) → HYDROFORMED DOWN TUBE AND TOP TUBE → EXCLUSIVE REPARTO CORSE TUBING DESIGN → CARBON SUPER-HIGH MODULS SEAT STAYS → SPECIAL ANTI-CORROSION SURFACE TREATMENT  
 → ALL ROUND RACE PERFORMANCE → HYDROFORMED TUBES WHICH INCREASE THE STIFFNESS → THANKS TO THE RIGIDITY THE FRAME RESPONDS QUICKLY ON ALL "MOVES" → COMFORTABLE THANKS TO THE CARBON SEAT STAY



MADE IN ITALY, MADE BY PEOPLE.

# ROAD

## C2C



The C2C concept (Coast to Coast) is a recent, but already a very much appreciated concept. It is conceived for the long-distance rider who does not want to give up comfort or performance. Comfort is the key word: the frames of the new C2C range, are today, even more comfortable, thanks to the quality of the carbon fibre employed and the K-Vid technology, which consists of Kevlar inserts strategically positioned on the fork and seat stays. This technology permits us to eliminate and filter the vibrations coming from the road surface thus making riding less tiring and therefore making those long hours in the saddle more efficient.

The geometries offer a comfortable and relaxed position in the saddle, which open up the angles for the torso, neck and pelvis, critical points for the long-distance rider. Comfort is further improved thanks to the BAT, Bianchi Active Technology: a proper mix of carbon fibres employed in the construction of the rear stays and their special section which increases the vertical reaction of the frame, without affecting rigidity and control under pedal pressure. There are two models in the range: 928 Carbon, featuring exclusive and innovative shapes and Via Nirone 7, available in two versions: Alu Carbon and Alu.

928 Carbon is "alternative", smoothly shaped, an absolute technical product.

Via Nirone 7 is in triple butted 7000 series aluminium with new hydroformed sections and is produced in two versions: "pure" or with carbon seat stays, implemented with K-Vid technology.



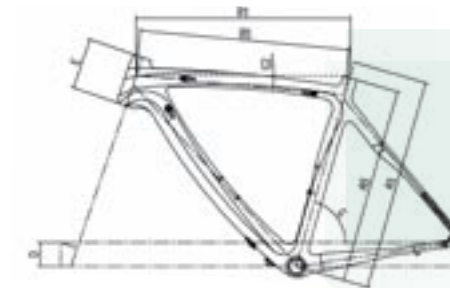
### 928 Carbon

#### CAMPAGNOLO RECORD 10 S COMPACT

CODE: Y8B57  
 COLOUR: CF  
 GROUP: CAMPAGNOLO RECORD  
 CRANKSET: FSA SL-K PRO CARBON  
 HANDLEBAR: FSA K-WING CARBON AERO  
 STEM: FSA CARBON PRO  
 SEATPOST: FSA SLK - CARBON  
 WHEELS: CAMPAGNOLO ZONDA  
 WEIGHT: AVAILABLE ON OUR WEB SITE

ALSO AVAILABLE IN COLOUR CL AND CR  
 AND WITH CAMPAGNOLO CHORUS 10 SP DOUBLE Y8B98,  
 CAMPAGNOLO CHORUS 10 SP COMPACT Y8B26

HIS. S.P.		81	85	0	E	G	Q2
500	470	530	514	68	125	74.5"	8"
530	500	540	526	68	140	74"	8"
550	520	555	539	68	155	73.5"	8"
580	550	575	563	68	170	73"	8"
610	580	590	575	68	210	73.5"	9"



→ CARBON MONOCOQUE DESIGN → HIGH MODULUS, HIGH STRENGTH CARBON FIBRE → 3K CARBON WOVEN FINISH → EXCLUSIVE REPARTO CORSE TUBING DESIGN → FULL INTEGRATED HEADSET SYSTEM → OVERSIZED BB FOR HIGHER RIGIDITY → BAT TECHNOLOGY → "K-VID", KEVLAR TECHNOLOGY, ABSORBS VIBRATION IN BOTH FRAME AND FORK → DRIVING STABILITY IN XTREME CONDITIONS → LONG DISTANCE RACE DEDICATED GEOMETRY → EASY TO RIDE → LIGHT AND RIGID BUT STILL WITH A LOT OF COMFORT → ABSORBS VIBRATIONS EXCELLENT, BAT AND K-VID TECHNOLOGY

# ROAD





### 928 Carbon

SHIMANO DURA ACE  
10 S COMPACT

CODE: Y8B27  
COLOUR: CL  
GROUP: SHIMANO DURA ACE  
CRANKSET: FSA SL-K PRO CARBON  
HANDLEBAR: FSA K-WING CARBON AERO  
STEM: FSA CARBON PRO  
SEATPOST: FSA SLK - CARBON  
WHEELS: MAVIC KSYRIUM ELITE  
WEIGHT: AVAILABLE ON OUR WEB SITE

ALSO AVAILABLE IN COLOUR CF AND CR

MIS. SLP							
H1	H5	81	85	0	E	G	G2
580	470	530	514	68	125	74.5"	8"
530	580	540	526	68	148	74"	8"
550	520	555	529	68	155	73.5"	8"
580	550	575	563	68	170	72"	4"
618	580	590	575	68	218	72.5"	5"



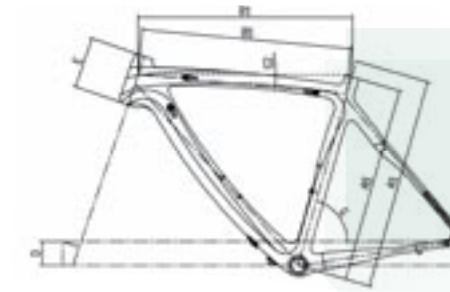
### 928 Carbon

SHIMANO ULTEGRA SL  
10 S COMPACT

CODE: Y8B06  
COLOUR: CR  
GROUP: SHIMANO ULTEGRA  
CRANKSET: FSA TEAM ISSUE  
HANDLEBAR: FSA K-WING CARBON AERO  
STEM: FSA CARBON PRO  
SEATPOST: FSA SLK - CARBON  
WHEELS: MAVIC AKSIUM  
WEIGHT: AVAILABLE ON OUR WEB SITE

ALSO AVAILABLE IN COLOUR CF AND CL  
AND WITH SHIMANO ULTEGRA 10 SP TRIPLE Y8B58

MIS. SLP							
H1	H5	81	85	0	E	G	G2
580	470	530	514	68	125	74.5"	8"
530	580	540	526	68	148	74"	8"
550	520	555	529	68	155	73.5"	8"
580	550	575	563	68	170	72"	4"
618	580	590	575	68	218	72.5"	5"





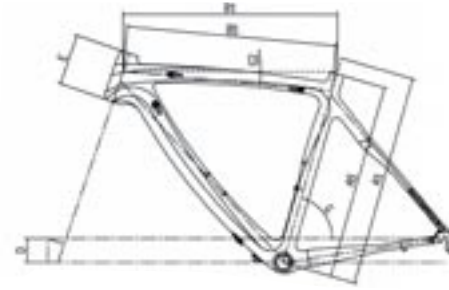
## 928 Carbon

### CAMPAGNOLO VELOCE 10 S COMPACT

CODE: Y8B08  
 COLOUR: CF  
 GROUP: CAMPAGNOLO VELOCE  
 CRANKSET: CAMPAGNOLO VELOCE  
 HANDLEBAR: FSA WING SHAPE ALLOY  
 STEM: FSA CARBON PRO  
 SEATPOST: RC SP-928-G CARBON  
 WHEELS: CAMPAGNOLO KHAMSIN  
 WEIGHT: AVAILABLE ON OUR WEB SITE

ALSO AVAILABLE IN COLOUR CL AND CR  
 AND WITH CAMPAGNOLO VELOCE 10 SP DOUBLE Y8B55

#15.9LP								
H1	H5	81	85	0	E	G	G2	
580	470	530	514	68	125	74.5"	8"	
530	580	540	526	68	140	74"	8"	
550	520	555	529	68	155	73.5"	8"	
580	550	575	563	68	170	72"	4"	
618	580	590	575	68	218	72.5"	5"	



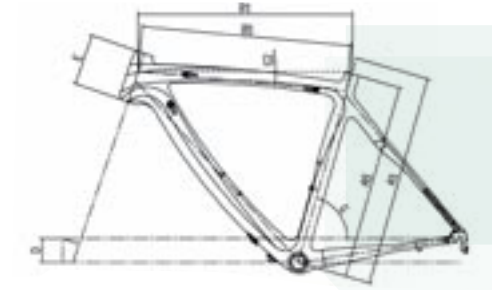
## 928 Carbon

### SHIMANO 105 10 S COMPACT

CODE: Y8B07  
 COLOUR: CL  
 GROUP: SHIMANO 105  
 CRANKSET: FSA GOSSAMER  
 HANDLEBAR: FSA WING SHAPE ALLOY  
 STEM: FSA CARBON PRO  
 SEATPOST: RC SP-928-G CARBON  
 WHEELS: MAVIC AKSIUM  
 WEIGHT: AVAILABLE ON OUR WEB SITE

ALSO AVAILABLE IN COLOUR CF AND CR  
 AND WITH SHIMANO 105 10 SP TRIPLE Y8B54

#15.9LP								
H1	H5	81	85	0	E	G	G2	
580	470	530	514	68	125	74.5"	8"	
530	580	540	526	68	140	74"	8"	
550	520	555	529	68	155	73.5"	8"	
580	550	575	563	68	170	72"	4"	
618	580	590	575	68	218	72.5"	5"	



→ CARBON MONOCOQUE DESIGN → HIGH MODULUS, HIGH STRENGTH CARBON FIBRE → 3K CARBON WOVEN FINISH → EXCLUSIVE REPARTO CORSE TUBING DESIGN → FULL INTEGRATED HEADSET SYSTEM → OVERSIZED BB FOR HIGHER RIGIDITY → BAT TECHNOLOGY → "K-VID", KEVLAR TECHNOLOGY, ABSORBS VIBRATION IN BOTH FRAME AND FORK → DRIVING STABILITY IN XTREME CONDITIONS → LONG DISTANCE RACE DEDICATED GEOMETRY → EASY TO RIDE → LIGHT AND RIGID BUT STILL WITH A LOT OF COMFORT → ABSORBS VIBRATIONS EXCELLENT, BAT AND K-VID TECHNOLOGY

→ CARBON MONOCOQUE DESIGN → HIGH MODULUS, HIGH STRENGTH CARBON FIBRE → 3K CARBON WOVEN FINISH → EXCLUSIVE REPARTO CORSE TUBING DESIGN → FULL INTEGRATED HEADSET SYSTEM → OVERSIZED BB FOR HIGHER RIGIDITY → BAT TECHNOLOGY → "K-VID", KEVLAR TECHNOLOGY, ABSORBS VIBRATION IN BOTH FRAME AND FORK → DRIVING STABILITY IN XTREME CONDITIONS → LONG DISTANCE RACE DEDICATED GEOMETRY → EASY TO RIDE → LIGHT AND RIGID BUT STILL WITH A LOT OF COMFORT → ABSORBS VIBRATIONS EXCELLENT, BAT AND K-VID TECHNOLOGY



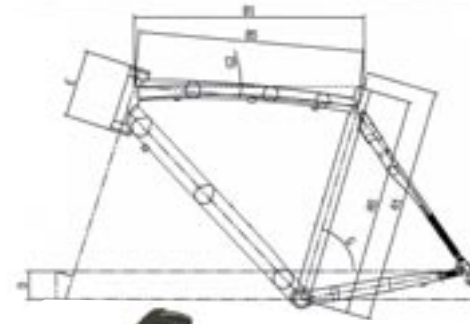
### Via Nirone 7 Alu Carbon

SHIMANO ULTEGRA/105  
10 SP COMPACT

CODE: Y8B31  
COLOUR: A4  
GROUP: SHIMANO ULTEGRA/105  
CRANKSET: FSA GOSSAMER  
HANDLEBAR: FSA WING SHAPE ALLOY  
STEM: FSA OS-190LX  
SEATPOST: RC SP-928-G CARBON  
WHEELS: SHIMANO WH-R500  
WEIGHT: AVAILABLE ON OUR WEB SITE

ALSO AVAILABLE IN COLOUR CK AND FS  
AND WITH SHIMANO ULTEGRA/105 10 SP DOUBLE Y8B45,  
SHIMANO ULTEGRA/105 10 SP TRIPLE Y8B46

MIS. SLP									
H1	H2	H3	H4	D	E	G	C2		
500	470	525	511	68	120	74.5"	7"		
530	500	535	522	68	135	74"	6"		
550	530	550	536	68	145	73.5"	5"		
570	540	560	548	68	155	73.5"	5"		
590	560	575	563	68	160	72"	4"		
610	580	595	572	68	200	72.5"	4"		



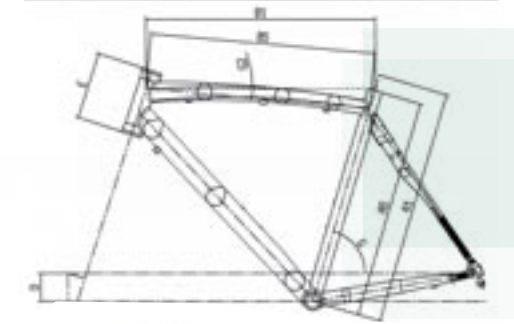
### Via Nirone 7 Alu Carbon

CAMPAGNOLO VELOCE  
10 SP COMPACT

CODE: Y8B28  
COLOUR: FS  
GROUP: CAMPAGNOLO VELOCE  
CRANKSET: FSA GOSSAMER  
HANDLEBAR: FSA WING SHAPE ALLOY  
STEM: FSA OS-190LX  
SEATPOST: RC SP-928-G CARBON  
WHEELS: MICHE/AMBROSIO  
WEIGHT: AVAILABLE ON OUR WEB SITE

ALSO AVAILABLE IN COLOUR CK AND A4

MIS. SLP									
H1	H2	H3	H4	D	E	G	C2		
500	470	525	511	68	120	74.5"	7"		
530	500	535	522	68	135	74"	6"		
550	530	550	536	68	145	73.5"	5"		
570	540	560	548	68	155	73.5"	5"		
590	560	575	563	68	160	72"	4"		
610	580	595	572	68	200	72.5"	4"		



→ TRIPLE BUTTED ALUMINIUM ALLOY (7000 SERIES) → BAT TECHNOLOGY (BENT TOP TUBE AND SEATSTAY) → EXCLUSIVE REPARTO CORSE TUBING DESIGN → CARBON SUPER-HIGH MODULS SEAT STAYS → "K-VID", KEVLAR TECHNOLOGY, ABSORBS VIBRATION IN BOTH FRAME AND FORK → LONG DISTANCE RACE DEDICATED GEOMETRY → DRIVING STABILITY FOR EASY RIDING

→ TRIPLE BUTTED ALUMINIUM ALLOY (7000 SERIES) → BAT TECHNOLOGY (BENT TOP TUBE AND SEATSTAY) → EXCLUSIVE REPARTO CORSE TUBING DESIGN → CARBON SUPER-HIGH MODULS SEAT STAYS → "K-VID", KEVLAR TECHNOLOGY, ABSORBS VIBRATION IN BOTH FRAME AND FORK → LONG DISTANCE RACE DEDICATED GEOMETRY → DRIVING STABILITY FOR EASY RIDING





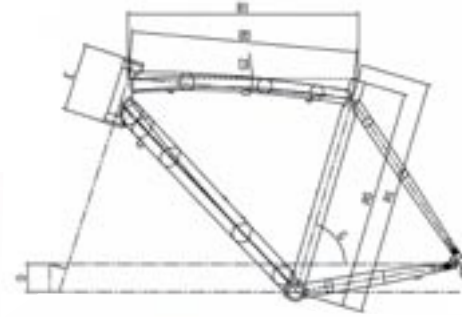
### Via Nirone 7 Alu

SHIMANO 105  
10 SP COMPACT

CODE: Y8B47  
COLOUR: 6W  
GROUP: SHIMANO 105  
CRANKSET: FSA OMEGA  
HANDLEBAR: DEDALEMENTI BIG PIEGA ALLOY  
STEM: RC DA-32  
SEATPOST: RC SP-928-G CARBON  
WHEELS: SHIMANO WH-R500  
WEIGHT: AVAILABLE ON OUR WEB SITE

ALSO AVAILABLE IN COLOUR CK AND ED  
AND WITH SHIMANO 105 10 SP TRIPLE Y8B48,  
CAMPAGNOLO MIRAGE 10 SP DOUBLE Y8B49,  
CAMPAGNOLO MIRAGE/RACE 10 SP TRIPLE Y8B50

MIS. S.P.							
41	45	51	55	D	E	G	G2
440	420	510	454	58	118	75"	10"
450	440	520	504	58	115	74.5"	9"
500	470	525	511	68	120	74.5"	7"
530	500	525	522	68	125	74"	6"
550	520	550	530	68	145	73.5"	5"
570	540	560	540	68	165	73.5"	5"
590	560	575	563	68	180	73"	4"
610	580	585	572	68	200	72.5"	4"



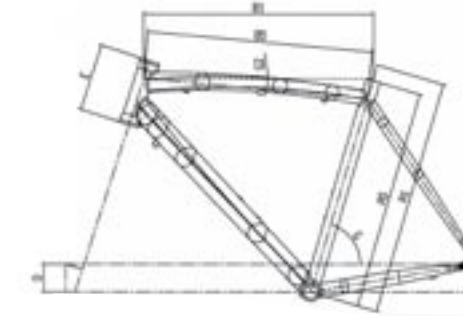
### Via Nirone 7 Alu

CAMPAGNOLO XENON  
10 SP COMPACT

CODE: Y8B51  
COLOUR: CK  
GROUP: CAMPAGNOLO XENON  
CRANKSET: FSA OMEGA  
HANDLEBAR: DEDALEMENTI BIG PIEGA ALLOY  
STEM: RC DA-32  
SEATPOST: RC SP-928-G CARBON  
WHEELS: MICHE/AMBROSIO  
WEIGHT: AVAILABLE ON OUR WEB SITE

ALSO AVAILABLE IN COLOUR 6W AND ED

MIS. S.P.							
41	45	51	55	D	E	G	G2
440	420	510	454	58	118	75"	10"
450	440	520	504	58	115	74.5"	9"
500	470	525	511	68	120	74.5"	7"
530	500	525	522	68	125	74"	6"
550	520	550	530	68	145	73.5"	5"
570	540	560	540	68	165	73.5"	5"
590	560	575	563	68	180	73"	4"
610	580	585	572	68	200	72.5"	4"



→ TRIPLE BUTTED ALUMINIUM ALLOY (7000 SERIES) → FLAT TIG WELDING → SPECIAL ANTI-CORROSION SURFACE TREATMENT → EXCLUSIVE REPARTO CORSE TUBING DESIGN → LONG DISTANCE RACE DEDICATED GEOMETRY  
→ DRIVING STABILITY FOR EASY RIDING → LIGHT AND RIGID BUT STILL WITH A LOT OF COMFORT

→ TRIPLE BUTTED ALUMINIUM ALLOY (7000 SERIES) → FLAT TIG WELDING → SPECIAL ANTI-CORROSION SURFACE TREATMENT → EXCLUSIVE REPARTO CORSE TUBING DESIGN → LONG DISTANCE RACE DEDICATED GEOMETRY  
→ DRIVING STABILITY FOR EASY RIDING → LIGHT AND RIGID BUT STILL WITH A LOT OF COMFORT



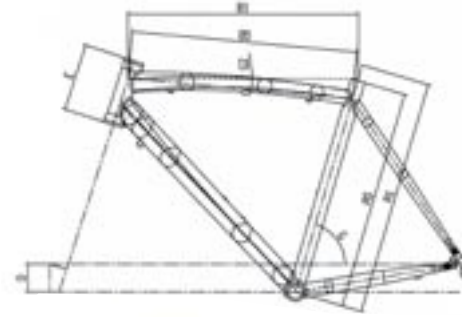
## Via Nirone 7 Alu

SHIMANO SORA  
9 SP COMPACT

CODE: Y8B10  
 COLOUR: ED  
 GROUP: SHIMANO SORA  
 CRANKSET: PROWHEEL OUNCE-620C  
 HANDLEBAR: DEDAELEMENTI BIG PIEGA ALLOY  
 STEM: RC DA-32  
 SEATPOST: RC SP-928-G CARBON  
 WHEELS: JOYTECH/AMBROSIO  
 WEIGHT: AVAILABLE ON OUR WEB SITE

ALSO AVAILABLE IN COLOUR CK AND 6W  
 AND WITH SHIMANO SORA 9 SP TRIPLE Y8B11,  
 SHIMANO TIAGRA 9 SP COMPACT Y8B52,  
 SHIMANO TIAGRA 9 SP TRIPLE Y8B09

MIS. S.P.								
41	45	51	55	61	66	72	78	84
440	420	510	494	58	118	75	107	
450	440	520	504	58	115	74.5	107	
500	470	525	511	68	120	74.5	107	
530	500	535	522	68	125	74	107	
550	520	550	530	68	145	73.5	107	
570	540	560	540	68	165	73.5	107	
590	560	575	563	68	180	72	107	
610	580	585	572	68	200	72.5	107	



MADE IN ITALY, MADE BY PEOPLE.

# ROAD

## DAMA BIANCA

In our new collection of bicycles, Bianchi has paid the usual attention to our female audience. New proposals of quality have enriched the Dama Bianca range that now boasts four new models: Valentina, Daniela, Elena and Silvia. At the top the 2 new 928 Carbon T-Cube models, in carbon fibre with 2 levels of components, designed to suit the most experienced and demanding female rider. The innovative Tube to Tube technology eliminates lugs thus offering maximum freedom in the choice of the geometry. The frame is rigid and very light, the bottom bracket area is "muscular" with an oversized bb shell. Comfort is guaranteed by the very quality of the material and by the 12K weave, clearly visible under a thin layer of shiny protection, incredibly fashionable. Then there is Silvia, in triple butted 7000 series aluminium alloy, with an ideal frame for competitions: rigid, reactive, yet within everybody's capability. The down tube as well as the chainstay are forged using Hydroforming technology to epitomize their beauty and performances, without sacrificing lightness, so important when testing in competitions. The TIG welding is smooth, while the special anticorrosion surface treatment offers the necessary guarantees for a long lifetime. Finally Elena, with a similarly technical frame, where comfort prevails over performance. Developed for the specific morphology of the female body; it is an excellent means to attract women to cycling. The frame is totally made from triple butted 7000 series aluminium and has smooth welding that highlights its harmony and beauty.



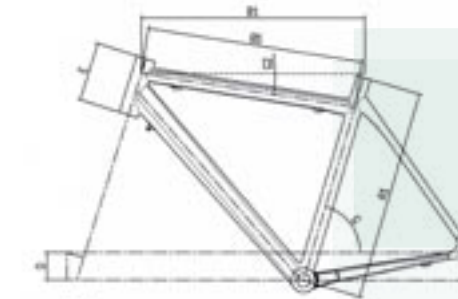
### VALENTINA 928 Carbon T- CUBE

SRAM RIVAL  
10 SP COMPACT

CODE: Y8B29  
COLOUR: CI  
GROUP: SRAM RIVAL  
CRANKSET: FSA SL-K CARBON  
HANDLEBAR: ITM ELLE ALU  
STEM: RC DA-32  
SEATPOST: DEDA ELEMENTI MAGIC STICK - CARBON  
WHEELS: MAVIC KSYRIUM EQUIPE  
WEIGHT: AVAILABLE ON OUR WEB SITE

ALSO AVAILABLE DANIELA WITH VELOCE 10 SP COMPACT  
Y8B30 IN COLOUR CO

SIZE	H1	H2	D	E	G	I2
440	500	407	70	118	75	13
470	507	435	70	115	75	12
500	516	505	70	120	75	7
530	530	528	70	125	74	5



→ NEW CARBON TUBE TO TUBE TECHNOLOGY → HEADTUBE WITH FULL INTEGRATED HEADSEAT SYSTEM → OVERSIZED BB FOR IMPROVED RIGIDITY → 12K CARBON WOVEN TECHNOLOGY → EXCLUSIVE REPARTO CORSE TUBING DESIGN  
→ RACE PERFORMANCE → BEST RIGIDITY VS. WEIGHT



# ROAD

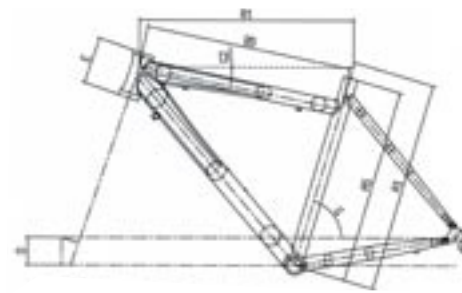


**SILVIA** Alu

HYDRO SHIMANO ULTEGRA  
10 SP TRIPLE

CODE: Y8B34  
 COLOUR: 61  
 GROUP: SHIMANO ULTEGRA  
 CRANKSET: FSA GOSSAMER  
 HANDLEBAR: ITM ELLE ALU  
 STEM: RC DA-32  
 SEATPOST: RC SP-928-G CARBON  
 WHEELS: SHIMANO WH-R500  
 WEIGHT: AVAILABLE ON OUR WEB SITE  
 ALSO AVAILABLE IN COLOUR ED

FIS. SP							
R1	R5	R1	R5	D	E	C	Q2
460	430	521	504	58	190	74.5"	12"
490	460	523	505	58	118	74.5"	11"
510	480	527	515	58	118	74"	10"
530	500	535	523	58	125	74"	10"

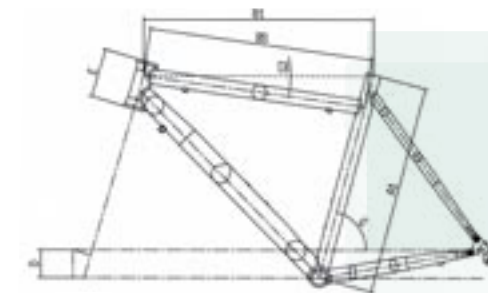


**ELENA**

CAMPAGNOLO MIRAGE/RACE  
10 SP TRIPLE LADY

CODE: Y8B12  
 COLOUR: ED  
 GROUP: CAMPAGNOLO MIRAGE/RACE  
 CRANKSET: FSA GOSSAMER  
 HANDLEBAR: ITM ELLE ALU  
 STEM: RC DA-32  
 SEATPOST: RC SP-928-G CARBON  
 WHEELS: MICHE/AMBROSIO  
 WEIGHT: AVAILABLE ON OUR WEB SITE  
 ALSO AVAILABLE IN COLOUR 61

FIS.							
R1	R1	R5	D	E	C	Q2	Q2
440	500	487	70	118	75"	13"	
470	507	495	70	115	75"	13"	
500	515	505	70	120	75"	13"	
530	530	526	70	125	74"	13"	



→ TRIPLE BUTTED ALUMINIUM ALLOY (7000 SERIES) → HYDROFORMED DOWN TUBE AND TOP TUBE → EXCLUSIVE REPARTO CORSE TUBING DESIGN → FLAT TIG WELDING → SPECIAL ANTI-CORROSION SURFACE TREATMENT  
 → ALL ROUND RACE PERFORMANCE → HYDROFORMED TUBES WHICH INCREASE THE STIFFNESS → SPECIAL LADY GEOMETRY → EASY RIDING

→ TRIPLE BUTTED ALUMINIUM ALLOY (7000 SERIES) → EXCLUSIVE REPARTO CORSE TUBING DESIGN → FLAT TIG WELDING → SPECIAL ANTI-CORROSION SURFACE TREATMENT → SPECIAL LADY GEOMETRY → EASY RIDING



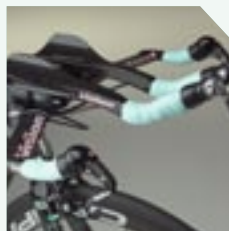
# ROAD

# SPECIAL

Cycling is a relatively relaxed sport. Enthusiasm and training are the two ingredients needed to get fun, satisfactions and performances. But nevertheless not all cycling is the same. There are different specialties. Such as time-trials, races against the clock. Or cycling in the countryside, which is called cyclo-cross and then there is track cycling, a noble and attractive specialty. "Special" bikes belong therefore to the Special category, bicycles born from the commitment, the strength, the passion of artisans and riders in order to achieve even more important targets, designed to meet the needs of every specialty, whether professional or not. D2 Crono Carbon is the frame to race against the clock. This frame is designed in cooperation with professional riders and boasts the exclusive and innovative Reparto Corse's design matching aerodynamics, lightness and rigidity, thanks to the reinforced and oversized bottom bracket.

D2 Crono Alu combines aerodynamic to the practicalness of the tube-to-tube welding from which "time trial" and triathlon geometries are born. The tubing is both double and triple butted. D2 Ciclocross "Cross Concept" is made with a high and aggressive geometry, required by off-road competitions. Lightness is a feature of the scandium aluminium alloy tubing, optimised by the rear stays in carbon fibre, which contributes to a reduction in vibrations and improved traction. D2Ciclocross "Axis" instead is in full 7005 series aluminium alloy, with different thicknesses, as per Bianchi's exclusive design.

And last but not least, D2 Pista, to compete inside where speed and smoothness is required. Its special aerodynamic geometry comes from aluminium alloy tubing offering both rigidity and stability. Available in several sizes, an unmistakable product of Made in Italy and Reparto Corse. The Steel model is incredible for its vintage style, a celebration of the essentiality: the cult piece of the Bianchi's catalogue is made entirely of cr-mo steel, a classical and evergreen frame.



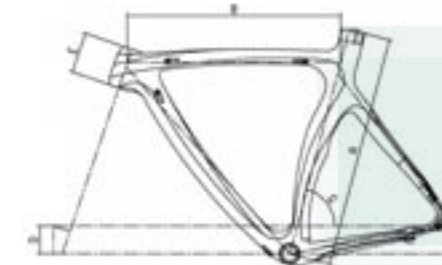
## SPECIAL

### D2 Crono Carbon

CAMPAGNOLO RECORD 10 S

CODE: Y8BA3  
COLOUR: EJ  
GROUP: CAMPAGNOLO RECORD  
CRANKSET: FSA NEO PRO TT CARBON  
HANDLEBAR: FSA VINO BAR CARBON  
STEM: FSA OS 115C CARBON CUP  
SEATPOST: FSA SLK - CARBON  
WHEELS: CAMPAGNOLO BORA/CAMPAGNOLO GHIBLI  
WEIGHT: AVAILABLE ON OUR WEB SITE

mm.					
	A	B	D	E	G
S	570	525	68	100	75"
M	620	545	68	110	74"
L	670	575	68	120	74"



→ AERODYNAMIC CONCEPTION → MONOCOQUE STRUCTURE → UNIFIED MONOSTAY DESIGN TO IMPROVE RIGIDITY → GEOMETRY FOR OPTIMAL TIME TRIAL POSITION → WIND TUNNEL TESTED → REINFORCED BB AREA FOR HIGH RIGIDITY  
→ USED AND TESTED BY PROFESSIONAL RIDERS → DEVELOPED IN COOPERATION WITH PROFESSIONAL RIDERS → AERODYNAMIC TUBES



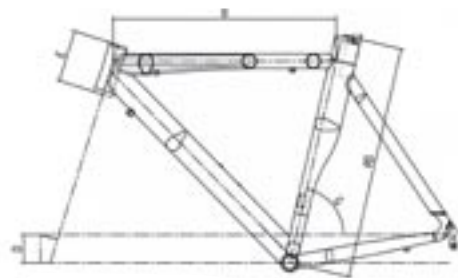
## SPECIAL

## D2 Crono/Triathlon Alu

SHIMANO ULTEGRA SL 10 S

CODE: Y8BA4  
 COLOUR: CK  
 GROUP: SHIMANO ULTEGRA SL  
 CRANKSET: FSA GOSSAMER TT  
 HANDLEBAR: FSA TRIMAX  
 STEM: INCLUDED  
 SEATPOST: RC AERO CARBON  
 WHEELS: MAVIC COSMIC ELITE  
 WEIGHT: AVAILABLE ON OUR WEB SITE

Pista Crono Geometry	H	B	D	E	G
518	520	515	68	85	70°
530	530	530	68	90	70°
550	540	540	68	90	75.5°
570	550	550	68	100	75.5°
590	560	565	68	110	72°
618	570	575	68	120	72°



42

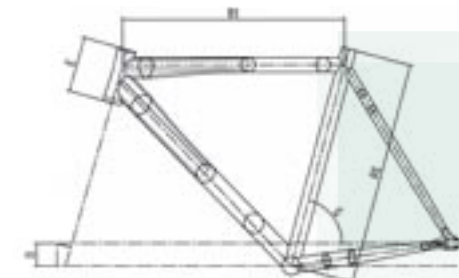
→ EXCLUSIVE REPARTO CORSE TUBING DESIGN → COMBINATION OF TRIPLE AND DOUBLE-BUTTED ALUMINIUM → AERODYNAMIC CONCEPTION → COMBINATION OF TIME TRIAL AND TRIATHLON GEOMETRY → AERODYNAMIC TUBES  
 → SUITABLE FOR BOTH TIME TRIAL AND TRIATHLON

## SPECIAL

## D2 Pista ALU

CODE: Y8B37  
 COLOUR: CK  
 GROUP: -  
 CRANKSET: FSA CARBON PRO TRACK  
 HANDLEBAR: DEDA ELEMENTI NEWTON  
 STEM: DEDA ELEMENTI ZERO 100  
 SEATPOST: DEDA ELEMENTI MAGIC STICK - CARBON  
 WHEELS: MAVIC ELLIPSE  
 WEIGHT: AVAILABLE ON OUR WEB SITE

Pista Geometry	H	B	D	E	G
490	520	55	105	70°	
510	525	55	115	70°	
530	535	55	125	75.5°	
550	545	55	140	75°	
570	560	55	155	70°	
590	575	55	175	74.5°	
610	590	55	195	74.5°	
630	600	55	210	74°	



→ TRACK ALU FRAME → EXCLUSIVE REPARTO CORSE TUBING DESIGN → SPECIAL TRACK GEOMETRY → RIGID AND STABLE

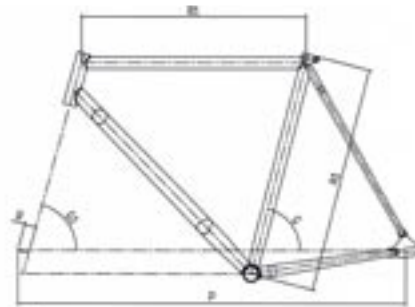
43

## SPECIAL

## Pista Steel

CODE: Y8B36  
 COLOUR: KC  
 GROUP: -  
 CRANKSET: TRUATIV TUORO TRACK 1.1  
 HANDLEBAR: PREMEMTEC 4002R STEEL - CHROME  
 STEM: KALLOY AS-006, 3-D FORGED 6061  
 SEATPOST: KALLOY SP-600 ALLOY  
 WHEELS: ALX SOLO TRACK  
 WEIGHT: AVAILABLE ON OUR WEB SITE

mm.						
A1	B1	P	R	G1	G	
490	523	934	26	74°	70°	
510	525	941	26	74°	70°	
530	535	947	26	74°	75.5°	
550	550	959	26	74°	75.5°	
570	568	967	26	74.5°	75.5°	
590	575	973	26	75°	75°	
610	585	978	26	75°	74.5°	



→ TRACK STEEL FRAME → EXCLUSIVE REPARTO CORSE TUBING DESIGN → SPECIAL TRACK GEOMETRY

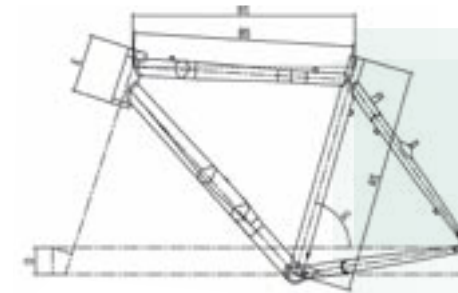
## SPECIAL

D2 Ciclocross Alu/Carbon  
"CROSS CONCEPT RACE"  
SRAM FORCE/RIVAL 10 SP

CODE: Y8B13  
 COLOUR: CK  
 GROUP: SRAM FORCE/RIVAL  
 CRANKSET: FSA GOSSAMER CROSS  
 HANDLEBAR: DEDALEMENTI NEWTON  
 STEM: DEDALEMENTI ZERO 100  
 SEATPOST: RC SP-928-G CARBON  
 WHEELS: MAVIC KSYRIUM EQUIPE  
 WEIGHT: AVAILABLE ON OUR WEB SITE

ALSO AVAILABLE WITH SHIMANO ULTEGRA/105 10 SP Y8B14  
 IN COLOUR AG

mm.						
A1	B1	B5	D	E	G	
440	520	580	68	107°	74°	
490	525	515	68	112°	74°	
520	529	530	68	117°	74°	
550	533	538	68	142°	73°	
570	576	585	68	142°	73°	
590	580	570	68	172°	73°	
610	582	585	68	152°	72.5°	



→ SCANDIUM TUBINGS → SPECIAL GEOMETRY AND TUBES FOR CYCLO CROSS → EXCLUSIVE REPARTO CORSE TUBING DESIGN → CARBON SEAT AND CHAIN STAY → SPECIAL CYCLO CROSS GEOMETRY → RIGID AND STABLE  
 → THE CARBON SEAT AND CHAIN STAY IMPROVE RIGIDITY AND COMFORT

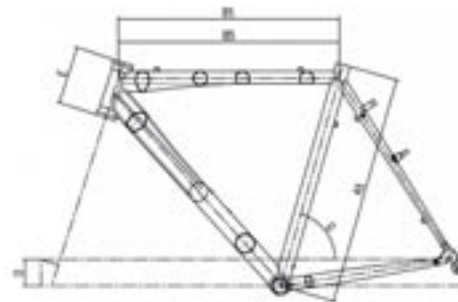
## SPECIAL

**D2 Ciclocross alu "AXIS"**  
LX/TIAGRA 9 SP

CODE: Y8B15  
 COLOUR: ED  
 GROUP: SHIMANO LX/TIAGRA  
 CRANKSET: PROWHEEL OUNCE-620C  
 HANDLEBAR: DEDALEMENTI BIG PIEGA ALLOY  
 STEM: RC DA-32  
 SEATPOST: RC SP-928-G CARBON  
 WHEELS: SHIMANO TIAGRA/MAVIC CXP 22S  
 WEIGHT: AVAILABLE ON OUR WEB SITE



MIS.	A1	B1	D	E	G
430	511	525	85	138	74"
520	521	536	85	138	74"
550	545	559	85	125	74"
580	568	582	85	148	74"
618	585	595	85	175	72.5"



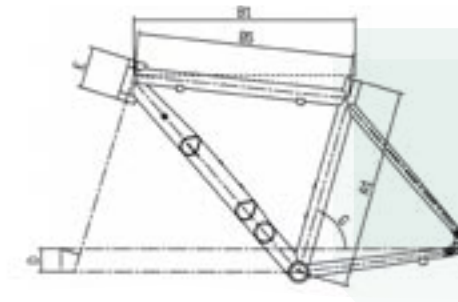
## SPECIAL

**JUNIOR 24" ALU**  
SHIMANO 2200 16 SP

CODE: Y8B33  
 COLOUR: CN  
 GROUP: SHIMANO 2200  
 CRANKSET: MICHE YOUNG  
 HANDLEBAR: ITM ROAD RACING NR40  
 STEM: HL-TDS-120-8  
 SEATPOST: SP 232  
 WHEELS: JOYTECH/AMBROSIO  
 WEIGHT: AVAILABLE ON OUR WEB SITE



MIS.	A1	B1	D	E	G
418	454	444	47	85	74"





# ROAD frame

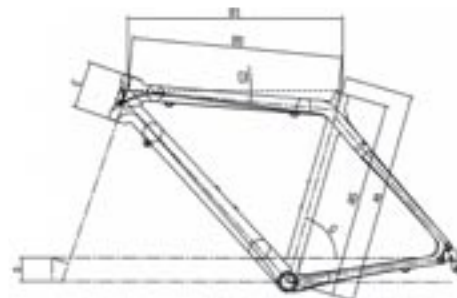


## 928 Carbon SL

MODEL: X8B04  
 COLOUR: EF  
 SIZE: 50-53-55-57-59-61  
 FORK: BIANCHI FF16 SUPERLIGHT 11/8" UD FINISH  
 HEADSET: FSA ORBIT CF  
 ALSO AVAILABLE IN COLOUR EW



HIS.SLP							
R1	R5	81	85	D	E	G	G2
500	470	525	512	58	115	74.5"	7"
530	500	525	522	60	130	74"	6"
550	520	530	537	60	145	73.5"	5"
570	540	530	548	60	160	73.5"	5"
590	560	575	562	60	180	73"	4"
610	580	585	572	60	200	72.5"	4"

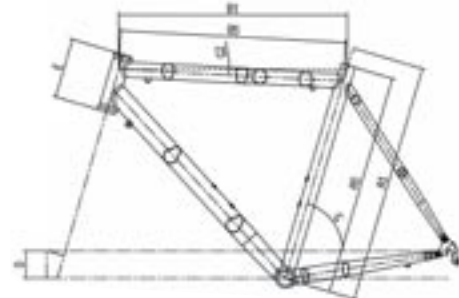


## FG Lite Alu

MODEL: X8B05  
 COLOUR: CK  
 SIZE: 46-49→63 X 1CM  
 FORK: BIANCHI FF16 SUPERLIGHT 11/8" UD FINISH  
 HEADSET: FSA ORBIT CF  
 ALSO AVAILABLE IN COLOUR 6W



HIS.SLP							
R1	R5	81	85	D	E	G	G2
460	440	520	505	58	115	74.5"	7"
490	470	523	509	58	115	74.5"	7"
500	470	524	512	58	115	74.5"	6"
510	480	526	515	58	115	74"	5"
520	490	530	520	63	115	74"	4.5"
530	500	535	525	60	130	74"	5.5"
540	510	540	530	60	130	74"	4.5"
550	520	550	530	60	145	73.5"	5"
560	530	555	545	60	145	73.5"	4"
570	540	560	550	60	160	73.5"	5"
580	550	570	560	60	180	73"	4"
590	560	575	563	60	180	73"	5"
600	570	580	570	60	180	73"	4"
610	580	585	572	60	200	72.5"	5"
620	590	590	579	60	200	72.5"	4"
630	600	595	583	60	210	72.5"	4.5"

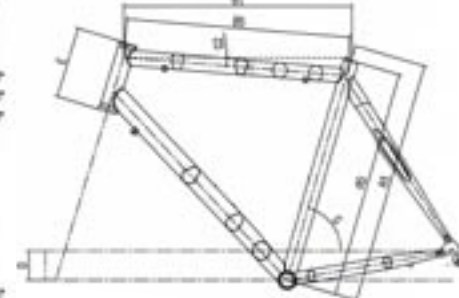


## FG Lite Alu /Carbon

MODEL: X8B01  
 COLOUR: 6W  
 SIZE: 49→63 X 1CM  
 FORK: BIANCHI FF16 SUPERLIGHT 11/8" UD FINISH  
 HEADSET: FSA ORBIT CF  
 ALSO AVAILABLE IN COLOUR CK



HIS.SLP							
R1	R5	81	85	D	E	G	G2
490	460	525	509	58	115	74.5"	7"
500	470	524	512	58	115	74.5"	6"
510	480	526	515	58	115	74"	5"
520	490	530	520	63	115	74"	4.5"
530	500	535	525	60	130	74"	5.5"
540	510	540	530	60	130	74"	4.5"
550	520	550	530	60	145	73.5"	5"
560	530	555	545	60	145	73.5"	4"
570	540	560	550	60	160	73.5"	5"
580	550	570	560	60	180	73"	4"
590	560	575	563	60	180	73"	5"
600	570	580	570	60	180	73"	4"
610	580	585	572	60	200	72.5"	5"
620	590	590	579	60	200	72.5"	4"
630	600	595	583	60	210	72.5"	4.5"



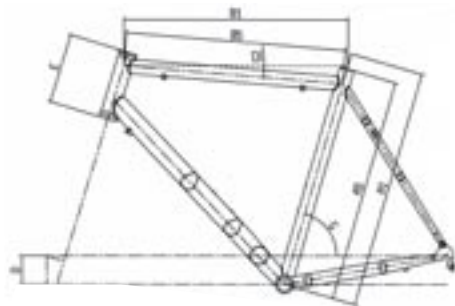
B4P  
BORN FOR PERFORMANCE

S9 Matta Titanium

CODE: X8B06  
COLOUR: TH  
SIZE: 49→63 X 1CM  
FORK: BIANCHI FFV FULL CARBON 11/8"  
HEADSET: FSA ORBIT CF



MIS.S.P							
H1	H5	H1	H5	D	E	G	G2
490	450	523	500	50	115	74.5"	7"
500	470	524	512	50	115	74.5"	8"
510	490	526	515	50	115	74"	9"
520	490	526	526	63	115	74"	4.5"
530	500	525	523	60	130	74"	5.5"
540	510	540	530	60	130	74"	4.5"
550	520	550	530	60	145	73.5"	5"
560	530	555	545	60	145	73.5"	4"
570	540	560	540	60	150	73.5"	5"
580	550	570	550	60	150	73"	4"
590	560	575	552	60	160	73"	5"
600	570	580	555	60	160	73"	4"
610	580	585	571	60	200	72.5"	5"
620	590	590	575	60	200	72.5"	4"
630	600	595	583	60	210	72.5"	4"



B4P  
BORN FOR PERFORMANCE

928 Carbon T- CUBE

CODE: X8B07  
COLOUR: 6W  
SIZE: 49→63 X 2CM  
FORK: BIANCHI FFV FULL CARBON 11/8"  
HEADSET: FSA ORBIT CF

ALSO AVAILABLE IN COLOUR CK



MIS.S.P							
H1	H5	H1	H5	D	E	G	G2
490	450	520	506	50	115	74.5"	7"
510	480	526	515	50	115	74"	9"
530	500	525	522	60	130	74"	8"
550	520	550	537	60	145	73.5"	9"
570	540	560	548	60	150	73.5"	5"
590	560	575	562	60	160	73"	5"
610	580	585	579	60	200	72.5"	5"
630	600	595	575	60	210	72.5"	4"



B4P  
BORN FOR PERFORMANCE

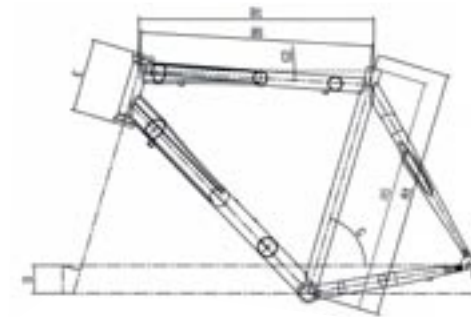
1885 TB Hydro/Carbon

CODE: X8B08  
COLOUR: CA  
SIZE: 49→63 X 2CM  
FORK: BIANCHI FLN CARBON/AL 11/8"  
HEADSET: FSA ZS4-CUSTOM

ALSO AVAILABLE IN COLOUR AW AND GW



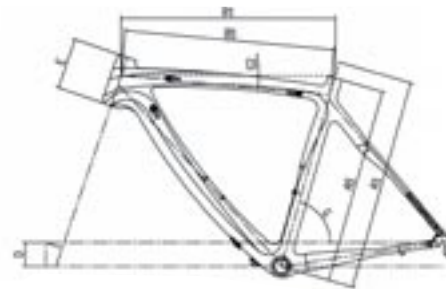
MIS.S.P							
H1	H5	H1	H5	D	E	G	G2
490	450	523	508	50	110	74.5"	8"
510	480	526	517	50	110	74"	9"
530	500	525	524	60	125	74"	9"
550	520	550	538	60	140	73.5"	9"
570	540	560	545	60	155	73.5"	4"
590	560	575	562	60	170	73"	4"
610	580	585	572	60	185	72.5"	4"
630	600	595	583	60	200	72.5"	4"





928 Carbon

CODE: X8B03  
 COLOUR: CR  
 SIZE: 50-53-55-58-61  
 FORK: BIANCHI FF9 K-VID FULL CARBON 11/8"  
 HEADSET: FSA ORBIT CE PLUS  
 ALSO AVAILABLE IN COLOUR CF AND CL

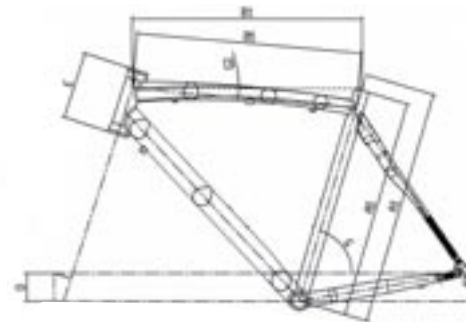


MIS. S.P.									
R1	R5	81	85	D	E	G	h2	h1	h3
500	470	530	514	68	125	74.5"	9"	9"	9"
530	500	540	525	68	140	74"	9"	9"	9"
550	520	550	535	68	155	73.5"	9"	9"	9"
580	550	575	563	68	170	73"	9"	9"	9"
610	580	598	575	68	210	72.5"	9"	9"	9"



Via Nirone 7 Alu Carbon

CODE: X8B09  
 COLOUR: CK  
 SIZE: 50-53-55-57-59-61  
 FORK: BIANCHI FL5 K-VID CARBON/ALU 11/8"  
 HEADSET: FSA ZS4-CUSTOM  
 ALSO AVAILABLE IN COLOUR A4 AND FS



MIS. S.P.									
R1	R5	81	85	D	E	G	h2	h1	h3
500	470	525	511	68	120	74.5"	9"	9"	9"
530	500	535	522	68	135	74"	9"	9"	9"
550	520	550	536	68	145	73.5"	9"	9"	9"
570	540	568	548	68	165	73.5"	9"	9"	9"
590	560	575	563	68	180	73"	9"	9"	9"
610	580	585	572	68	200	72.5"	9"	9"	9"



MADE IN ITALY, MADE BY PEOPLE.

SPECIAL

## D2 Crono Carbon

CODE: X8B10  
 COLOUR: EJ  
 SIZE: S [49-53] - M [54-58] - L [59-63]  
 FORK: BIANCHI FKU CARBON/ALU 11/8"  
 HEADSET: FSA ORBIT ZS

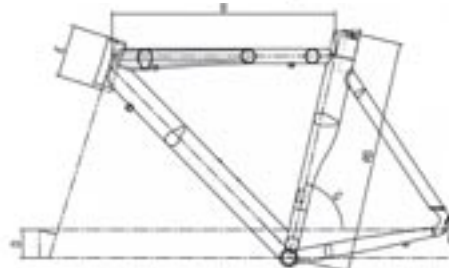


RIS.					
	A	B	D	E	G
S	570	525	68	90	72°
M	620	545	68	110	74°
L	670	575	68	120	74°

SPECIAL

## D2 Crono/Triathlon Alu

CODE: X8B11  
 COLOUR: CK  
 SIZE: 51-53-55-57-59-61  
 FORK: BIANCHI FKU CARBON/ALU 11/8"  
 HEADSET: FSA ORBIT CE PLUS

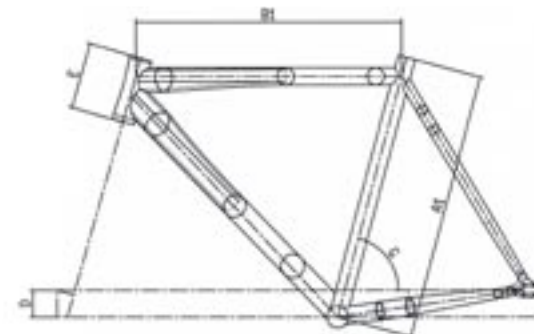


RIS. Crono Geometry					
	A	B	D	E	G
510	520	515	68	85	70°
530	530	530	68	90	70°
550	540	540	68	90	70°
570	550	550	68	100	75.5°
590	560	555	68	110	72°
610	570	570	68	120	72°

SPECIAL

## D2 Pista Alu

CODE: X8B12  
 COLOUR: CK  
 SIZE: 49→63 X 2CM  
 FORK: BIANCHI FKU CARBON/ALU 11/8"  
 HEADSET: FSA ORBIT CE PLUS



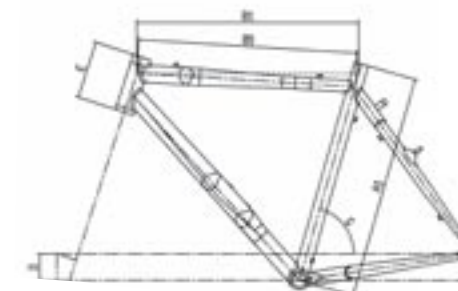
RIS.					
	A1	B1	D	E	G
490	520	55	105	70°	
510	525	55	115	70°	
530	535	55	125	75.5°	
550	545	55	140	72°	
570	560	55	155	72°	
590	575	55	175	74.5°	
610	590	55	195	74.5°	
630	610	55	210	74°	

SPECIAL

## D2 Ciclocross

CROSS CONCEPT RACE ALU/CARBON

CODE: X8B02  
 COLOUR: CK  
 SIZE: 44-49-52-55-57-59-61  
 FORK: BIANCHI - CARBON/ALU 11/8"  
 HEADSET: TANGE IS-22 INTEGRATED ALLOY BLACK 11/8"

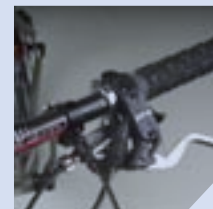


RIS.					
	A1	B1	D	E	G
440	520	580	68	107	74°
490	525	515	68	112	74°
520	530	530	68	117	74°
550	535	550	68	142	72°
570	570	565	68	142	72°
590	580	570	68	172	72°
610	592	585	68	192	72.5°



# MTB

## RACING



The Racing range is the most complete and aggressive among the Bianchi MTB ranges: the frames being made from either titanium, aluminium or carbon.

Oetzi Carbon is the most improved of the classic racing frames: light and rigid, it weighs only 1,2 Kg in a medium size and it is a mix of high modulus fibres, implemented by nanotechnology and by the unidirectional finishing. The rear stay is new and designed to withstand torsion and yet offer exceptional comfort while absorbing impacts. Oetzi Carbon is the frame developed for those who wish to improve their performance.

Oetzi Alu in triple butted Hyperalloy, the result of years of experience and successes at international level, has now been refreshed with new graphics and technical solutions: the top tube as well as the down tube are made stronger by Hydroforming technology, specially conceived by Bianchi Reparto Corse. The bottom bracket, more rigid and lighter than before is now even more resistant to stresses: Bianchi succeeded in improving an already excellent product.

The Oetzi Ti is an ultra-modern frame in titanium, capable of combining the properties of this noble metal with competition requirements. The ultra-light and ultra-resistant tubing is made from double butted 3Al/2,5V certified Titanium alloy. Exclusive design and technology: the Structural Foam Injection in the most stressed areas of the bottom bracket and the rear drop outs, drawn from CNC machining, make this frame a truly special one.

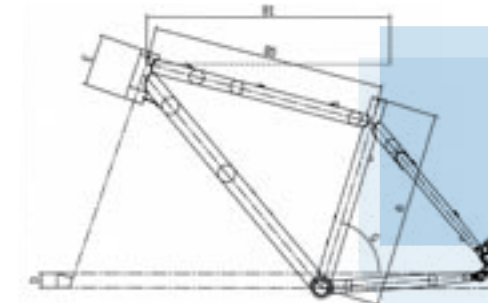
The Racing bicycles include the Camos, real Italian flair in a Full Suspension design for Cross Country. The frame is in high modulus carbon fibre with Dual Flex Chain Stays technology, having a virtual pivot instead of a 4-bar linkage. The stays are extremely rigid and coupled in a double function monolith, a turn on the screws is enough to choose the most suitable position: laterally rigid and vertically active, in line with the air shock. The future of Cross Country is within reach.

### RACING

#### OETZI 9800 Titanium SHIMANO XTR DISC

CODE: Y8BA5  
 COLOUR: TO  
 FORK: MARZOCCHI MARATHON CORSA SL WC  
 GROUP: SHIMANO XTR  
 CRANKSET: FSA TEAM ISSUE MEGAEXO 44/32/22  
 HANDLEBAR: FSA K-FORCE FLAT OS 3-K CARBON/KEVLAR  
 STEM: FSA OS 115C CARBON CUP  
 SEATPOST: PMP CARBON 31,6MM  
 WHEELS: MAVIC CROSSMAX SLR DISC  
 WEIGHT: AVAILABLE ON OUR WEB SITE

SIZE	A	B1	B2	C	E	G
380	540	525	35	115	77	
430	570	545	35	115	77	
480	590	565	35	125	77	
530	615	590	35	135	77	



→ CERTIFIED 3AL/2,5V ALLOY BASE MATERIAL, DOUBLE BUTTED, SUPER LIGHT ALLOY → REALIZED WITH A SPECIAL WORKMANSHIP OF THE TUBES → STRUCTURAL FOAM INJECTION → CNC DROPOUT → UNIQUE BIANCHI → XC GEOMETRY → QUICK IN TURNS AND ACCELERATIONS THANKS TO THE SPECIAL GEOMETRY AND RIGID FRAME → EXCELLENT VIBRATIONS ABSORPTION → CUSTOM SIZE GEOMETRY → OPTIMUM RIGIDITY VS. COMFORT → SPECIFIC XC GEOMETRY → DEVELOPED WITH PROFESSIONAL RIDERS

# MTB

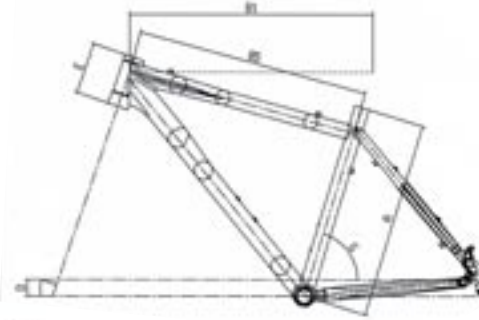
RACING

**OETZI 9800 Aluminium**  
SHIMANO XTR DISC

CODE: Y8BA6  
 COLOUR: CK  
 FORK: MARZOCCHI MARATHON CORSA SL WC  
 GROUP: SHIMANO XTR  
 CRANKSET: FSA TEAM ISSUE MEGAEXO 44/32/22  
 HANDLEBAR: FSA K-FORCE FLAT OS 3-K CARBON/KEVLAR  
 STEM: FSA OS 115C CARBON CUP  
 SEATPOST: PMP CARBON 31,6MM  
 WHEELS: MAVIC CROSSMAX SLR DISC  
 WEIGHT: AVAILABLE ON OUR WEB SITE

ALSO AVAILABLE IN COLOUR AB  
 AND OETZI 9200 ALUMINIUM TB SHIMANO XT/LX DISC Y8B89  
 IN COLOUR CK AND 6W

POS.	A	B1	B5	D	E	G
300	548	525	35	115	77	
430	578	545	35	115	77	
480	598	565	35	125	77	
530	615	585	35	135	77	



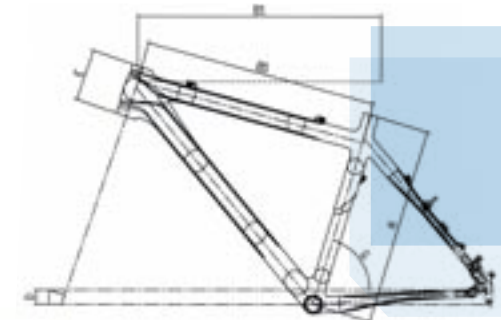
RACING

**OETZI 9700 Carbon**  
SHIMANO XTR DISC

CODE: Y8B90  
 COLOUR: EH  
 FORK: MARZOCCHI MARATHON CORSA SL WC  
 GROUP: SHIMANO XTR  
 CRANKSET: FSA TEAM ISSUE MEGAEXO 44/32/22  
 HANDLEBAR: FSA K-FORCE FLAT OS 3-K CARBON/KEVLAR  
 STEM: FSA OS 115C CARBON CUP  
 SEATPOST: PMP CARBON 31,6MM  
 WHEELS: MAVIC CROSSMAX SLR DISC  
 WEIGHT: AVAILABLE ON OUR WEB SITE

ALSO AVAILABLE  
 OETZI 9500 CARBON SHIMANO XTR/XT DISC Y8B64,  
 OETZI 9300 CARBON SHIMANO XT/LX DISC Y8B65

POS.	A	B1	B5	D	E	G
430	578	545	35	115	77	
480	598	565	35	125	77	
530	615	585	35	135	77	



→ TRIPLE BUTTED HYPERALLOY FRAME → EXCLUSIVE REPARTO CORSE TUBING DESIGN → NEW TOP TUBE AND DOWN TUBE FOR INCREASED RIGIDITY → NEW BB FOR IMPROVED STIFFNESS AND LOWER WEIGHT → DEVELOPED IN CLOSE COOPERATION WITH TEAM BIANCHI AGOS → UNIQUE BIANCHI → XC GEOMETRY → QUICK IN TURNS AND ACCELERATIONS THANKS TO THE SPECIAL GEOMETRY AND RIGID FRAME

→ NEW FRAME → DECREASED WEIGHT → CARBON NANO TECHNOLOGY → CARBON MONOCOQUE DESIGN → HIGH MODULUS, HIGH STRENGTH CARBON FIBRE → UNIDIRECTIONAL CARBON WOVEN FINISH → EXCLUSIVE REPARTO CORSE TUBING DESIGN → NEW ANTI VIBRATION/ABSORBING SYSTEM IN THE CHAIN AND SEATSTAY → RACE PERFORMANCE → XC GEOMETRY → LIGHT AND RIGID → ABSORBS VIBRATIONS EXCELLENT BECAUSE OF THE CARBON MATERIAL AND SPECIAL DESIGN OF THE REAR TRIANGLE

RACING

**CAMOS 8900** XC Carbon FS  
SHIMANO XTR DISC

CODE: Y8B97  
 COLOUR: ET  
 REAR SHOCK: DT SWISS SSD 190 L LRCS REMOTE LOCKOUT  
 FORK: MARZOCCHI MARATHON CORSA SL WC  
 GROUP: SHIMANO XTR  
 CRANKSET: FSA TEAM ISSUE MEGAEXO 44/32/22  
 HANDLEBAR: FSA K-FORCE FLAT OS 3-K CARBON/  
 KEVLAR  
 STEM: FSA OS 115C CARBON CUP  
 SEATPOST: FSA K-FORCE CARBON MONOCOQUE  
 31,6MM  
 WHEELS: MAVIC CROSSMAX SLR DISC  
 WEIGHT: AVAILABLE ON OUR WEB SITE

MIS.	A	B5	B1	D	E	G
450	431	570	95	115	77	
480	515	590	15	125	77	
520	550	615	16	135	77	



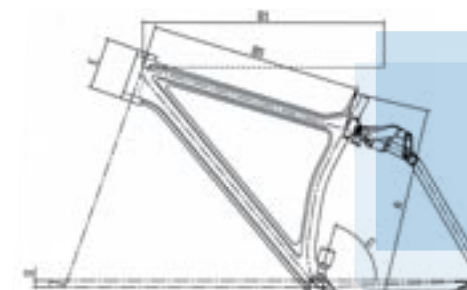
→ NEW XC FRAME FULL SUSPENDED → CARBON MONOCOQUE FRONT TRIANGLE → CARBON SUPER-HIGH MODULUS → REAR TRAVEL 80MM WITH REMOTE LOCKOUT → "DUAL SUSPENCION" STIFFNESS → CARBON FLEX CHAIN-STAYS

RACING

**CAMOS 8700** XC Carbon FS  
SHIMANO XTR/XT DISC

CODE: Y8B96  
 COLOUR: EG  
 REAR SHOCK: DT SWISS SSD 190 L LRCS REMOTE LOCKOUT  
 FORK: MARZOCCHI MARATHON CORSA LT  
 GROUP: SHIMANO XTR/XT  
 CRANKSET: SHIMANO XT 44/32/22  
 HANDLEBAR: FSA K-FORCE FLAT OS 3-K CARBON/KEVLAR  
 STEM: FSA ST-OS-150LX ALLOY  
 SEATPOST: FSA K-FORCE CARBON MONOCOQUE 31,6MM  
 WHEELS: MAVIC CROSSTRAIL DISC  
 WEIGHT: AVAILABLE ON OUR WEB SITE

MIS.	A	B5	B1	D	E	G
450	431	570	95	115	77	
480	515	590	15	125	77	
520	550	615	16	135	77	



→ NEW XC FRAME FULL SUSPENDED → CARBON MONOCOQUE FRONT TRIANGLE → CARBON SUPER-HIGH MODULUS → REAR TRAVEL 80MM WITH REMOTE LOCKOUT → "DUAL SUSPENCION" STIFFNESS → CARBON FLEX CHAIN-STAYS

# MTB

## PERFORMANCE

The Performance range of Mountain bikes is strong and resistant, suitable on all kinds of terrain: the frames are light and made from triple butted 7000 series aluminium alloy. An optimisation of the alloy is more and more appreciated and employed, even for the top of the range. Mutt is the perfect choice for Cross Country: it is a compact, practical and a well handling design. The down tube and the chainstays are improved by Hydroforming technology, along the exclusive specifications of this Reparto Corse design.

Caal and Legor have both front and rear suspension, featuring a 4-bar linkage; a special and sophisticated technology, designed in cooperation with Renault Sport R&D, and the Horst Link patent. This special geometry of the rear triangle is able to keep the power of the pedalling action separate from the shock-absorbing action, thus allowing a "no-bobbing effect". The Caal model features 100mm of travel, whereas the Legor has 130mm. Both boast elegant finishing, complete with a special anti-corrosion treatment.



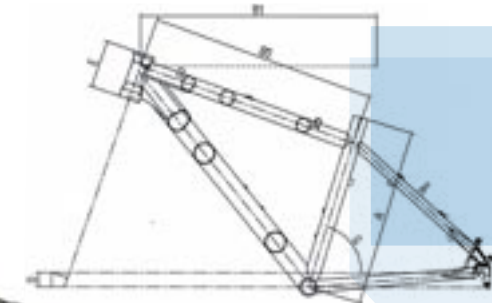
### PERFORMANCE

#### MUTT 7800 Alu SHIMANO XTR MIX DISC

CODE: Y8B66  
COLOUR: CK  
FORK: MARZOCCHI MARATHON CORSA LT  
GROUP: SHIMANO XTR MIX  
CRANKSET: FSA AFTERBURNER MEGAEXO 44/32/22  
HANDLEBAR: FSA XC-282A-OS  
STEM: FSA OS-190LX  
SEATPOST: FSA SL-280 31,6MM  
WHEELS: MAVIC CROSSRIDE DISC  
WEIGHT: AVAILABLE ON OUR WEB SITE

ALSO AVAILABLE IN COLOUR KW  
AND MUTT 7400 ALU DB SHIMANO XT/DEORE DISC Y8B88  
IN COLOUR GH AND KW

HTS.	A	B1	B5	D	E	G
430	570	545	35	115	77	
480	590	565	35	125	77	
530	615	590	35	135	77	



→ TRIPLE BUTTED ALUMINIUM (7000 SERIES) → HYDROFORMING DOWN TUBE AND TOP TUBE AT HEAD TUBE AREA → EXCLUSIVE REPARTO CORSE TUBING DESIGN → DECREASED → FLAT TIG WELDING  
→ SPECIAL ANTI-CORROSION SURFACE TREATMENT → XC GEOMETRY → ALL ROUND XC PERFORMANCE → HYDROFORMED TUBES FOR INCREASED STIFFNESS → OETZI XC GEOMETRY

# MTB

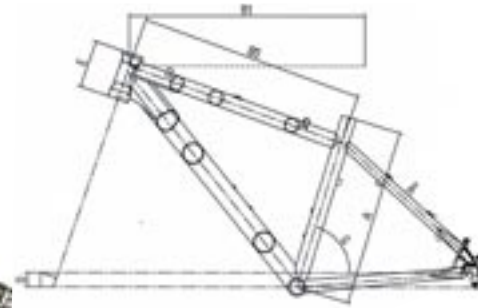


## PERFORMANCE

### MUTT 7700 Alu SHIMANO XT/LX DISC

CODE: Y8B67  
 COLOUR: BN  
 FORK: MARZOCCHI MX PRO LO  
 GROUP: SHIMANO XT/LX  
 CRANKSET: FSA MOTO MEGAEXO 44/32/22  
 HANDLEBAR: FSA XC-282A-0S  
 STEM: FSA OS-190LX  
 SEATPOST: FSA SL-280 31,6MM  
 WHEELS: SHIMANO DEORE 32H/MAVIC XM 317  
 DISC 32H  
 WEIGHT: AVAILABLE ON OUR WEB SITE  
 ALSO AVAILABLE IN COLOUR CK

MS.					
A	B	C	D	E	G
430	570	545	35	115	77
460	590	565	35	125	77
530	615	590	35	135	77



→ TRIPLE BUTTED ALUMINIUM (7000 SERIES) → HYDROFORMING DOWN TUBE AND TOP TUBE AT HEAD TUBE AREA → EXCLUSIVE REPARTO CORSE TUBING DESIGN → DECREASED → FLAT TIG WELDING  
 → SPECIAL ANTI-CORROSION SURFACE TREATMENT → XC GEOMETRY → ALL ROUND XC PERFORMANCE → HYDROFORMED TUBES FOR INCREASED STIFFNESS → OETZI XC GEOMETRY



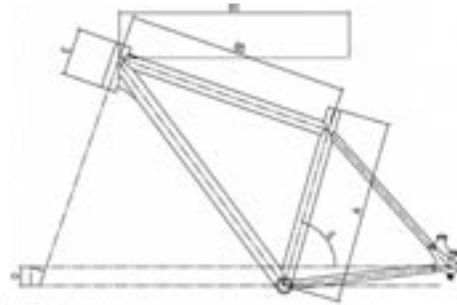
MADE IN ITALY, MADE BY PEOPLE.

PERFORMANCE

**SOK 29"**  
SINGLE SPEED DISC

CODE: Y8B68  
 COLOUR: LB  
 FORK: ROCKSHOX REBA SL 29"  
 GROUP: SINGLE SPEED  
 CRANKSET: SRAM STYLO 1.1G 32T  
 HANDLEBAR: TRUVATIV HB-RB XR 3D RISER ALLOY  
 STEM: TRUVATIV XR 3D ALLOY FORGED  
 SEATPOST: WTB CXC ALLOY 27,2MM  
 WHEELS: WTB SPEEDDISC BLACK 29  
 WEIGHT: AVAILABLE ON OUR WEB SITE"

MIS.						
A	B1	B5	D	E	G	
445	395	500	50	115	74"	
495	615	590	50	125	74"	
545	635	605	50	135	74"	



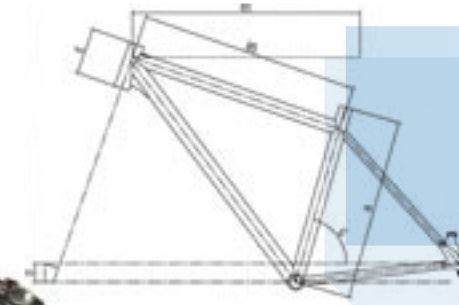
→ EASTON ULTRALITE TUBING → 2 VERSIONS MULTI SPEED AND SINGLE SPEED

PERFORMANCE

**SOK 29"**  
SRAM X.9/X.7 DISC

CODE: Y8B69  
 COLOUR: BR  
 FORK: ROCKSHOX REBA SL 29"  
 GROUP: SRAM X.9  
 CRANKSET: SRAM STYLO 3.3 44/32/22  
 HANDLEBAR: TRUVATIV HB-RB XR 3D RISER ALLOY  
 STEM: TRUVATIV XR 3D ALLOY FORGED  
 SEATPOST: WTB CXC ALLOY 27,2MM  
 WHEELS: WTB SPEEDDISC ALL MOUNTAIN 29  
 WEIGHT: AVAILABLE ON OUR WEB SITE"

MIS.						
A	B1	B5	D	E	G	
445	395	500	50	115	74"	
495	615	590	50	125	74"	
545	635	605	50	135	74"	



→ EASTON ULTRALITE TUBING → 2 VERSIONS MULTI SPEED AND SINGLE SPEED

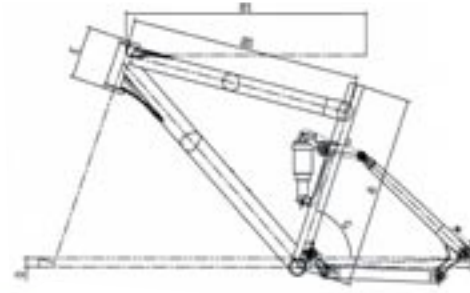
PERFORMANCE

**CAAL 8400 xc**

FULL SUSPENDED ALU TB  
SHIMANO XT/LX DISC

CODE: Y8B91  
COLOUR: A4  
REAR SHOCK: FOX FLOAT R  
FORK: MARZOCCHI MARATHON CORSA LT  
GROUP: SHIMANO XT/LX  
CRANKSET: FSA MOTO MEGAEXO 44/32/22  
HANDLEBAR: FSA XC-282A-05  
STEM: FSA OS-190LX  
SEATPOST: FSA SL-280 31,4MM  
WHEELS: SHIMANO LX 32H/MAVIC XM 317 DISC 32H  
WEIGHT: AVAILABLE ON OUR WEB SITE

RES.	A	B	C	D	E	G
420	545	573	22	118	72"	
470	572	596	22	127	72"	
520	598	613	22	130	72"	



→ CCS SYSTEM, ANTI BOBBING AND NO ZAG → TRIPLE BUTTED ALUMINIUM ALLOY (6000 SERIES) → EXCLUSIVE REPARTO CORSE TUBING DESIGN → CROSS COUNTRY GEOMETRY → SPECIAL ANTI-CORROSION SURFACE TREATMENT → HORST LINK → ANTI BOBBING AND NO SAG → XC GEOMETRY 100MM REAR TRAVEL → UNIQUE SYSTEM ON THE MARKET → ELIMINATES BOBBING WHILE PEDALING BUT ABSORBS THE BUMP FORCES → NO ZAG SET UP, NO EFFECT ON THE SET UP OF THE SHOCK BY RIDERS WEIGHT AND NO HANDLING CHANGE UNDER BRAKING → LIGHT AND RIGID

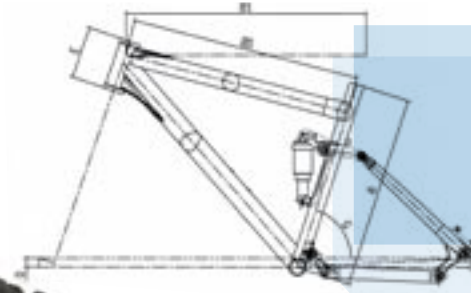
PERFORMANCE

**CAAL 8200 xc**

FULL SUSPENDED ALU TB  
SHIMANO LX/DEORE DISC

CODE: Y8B92  
COLOUR: 6W  
REAR SHOCK: ROCK SHOX BAR ADJUST  
FORK: ROCK SHOX DART 2 TURNKEY  
GROUP: SHIMANO LX/DEORE  
CRANKSET: FSA ALPHA DRIVE 44/32/22  
HANDLEBAR: RC HB-3188 ALLOY LOW RISE  
STEM: RC DA-35 3D FORGED ALLOY SUPER OVER  
SEATPOST: HL SP-151 31,4MM  
WHEELS: SHIMANO FH-M495L 32H/MACH 1 MX DISC  
WEIGHT: AVAILABLE ON OUR WEB SITE

RES.	A	B	C	D	E	G
420	545	573	22	118	72"	
470	572	596	22	127	72"	
520	598	613	22	130	72"	



→ CCS SYSTEM, ANTI BOBBING AND NO ZAG → TRIPLE BUTTED ALUMINIUM ALLOY (6000 SERIES) → EXCLUSIVE REPARTO CORSE TUBING DESIGN → CROSS COUNTRY GEOMETRY → SPECIAL ANTI-CORROSION SURFACE TREATMENT → HORST LINK → ANTI BOBBING AND NO SAG → XC GEOMETRY 100MM REAR TRAVEL → UNIQUE SYSTEM ON THE MARKET → ELIMINATES BOBBING WHILE PEDALING BUT ABSORBS THE BUMP FORCES → NO ZAG SET UP, NO EFFECT ON THE SET UP OF THE SHOCK BY RIDERS WEIGHT AND NO HANDLING CHANGE UNDER BRAKING → LIGHT AND RIGID

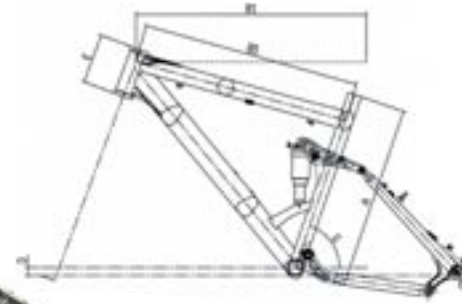
PERFORMANCE

**LEGOR 5600** All mountain Alu  
SHIMANO XTR/XT DISC

CODE: Y8B95  
 COLOUR: GH  
 REAR SHOCK: FOX FLOAT R  
 FORK: MARZOCCHI XC 700 ATA  
 GROUP: SHIMANO XTR/XT  
 CRANKSET: SHIMANO XT 44/32/22  
 HANDLEBAR: FSA XC-282A-05  
 STEM: FSA ST-05-150LX  
 SEATPOST: FSA SL-280 31,6MM  
 WHEELS: SHIMANO XT 32H/MAVIC XM 317 DISC 32H  
 WEIGHT: AVAILABLE ON OUR WEB SITE

ALSO AVAILABLE LEGOR 5400 ALL MOUNTAIN ALU  
 SHIMANO XT/LX DISC Y8B93 IN COLOUR GL

POS.	A	B5	B1	D	E	G
430	541	575	-28	118	71"	
478	568	596	-28	127	71"	
528	583	613	-28	139	71"	

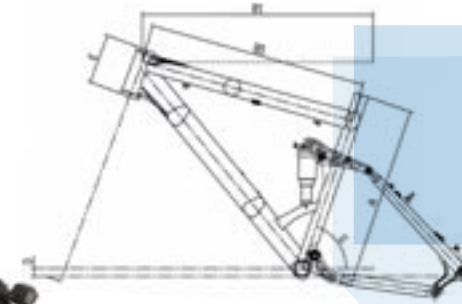


PERFORMANCE

**LEGOR 5200** All mountain Alu  
SHIMANO LX/DEORE DISC

CODE: Y8B94  
 COLOUR: BN  
 REAR SHOCK: ROCK SHOX BAR ADJUST  
 FORK: MARZOCCHI XC 600 TST 2  
 GROUP: SHIMANO LX/DEORE  
 CRANKSET: FSA ALPHA DRIVE 44/32/22  
 HANDLEBAR: RC HB-3188 ALLOY LOW RISE  
 STEM: RC DA-35 3D FORGED ALLOY SUPER OVER  
 SEATPOST: RC SP-222 ALLOY 31,6MM  
 WHEELS: SHIMANO FH-M495L 32H/MACH 1 MX DISC  
 WEIGHT: AVAILABLE ON OUR WEB SITE

POS.	A	B5	B1	D	E	G
430	541	575	-28	118	71"	
478	568	596	-28	127	71"	
528	583	613	-28	139	71"	



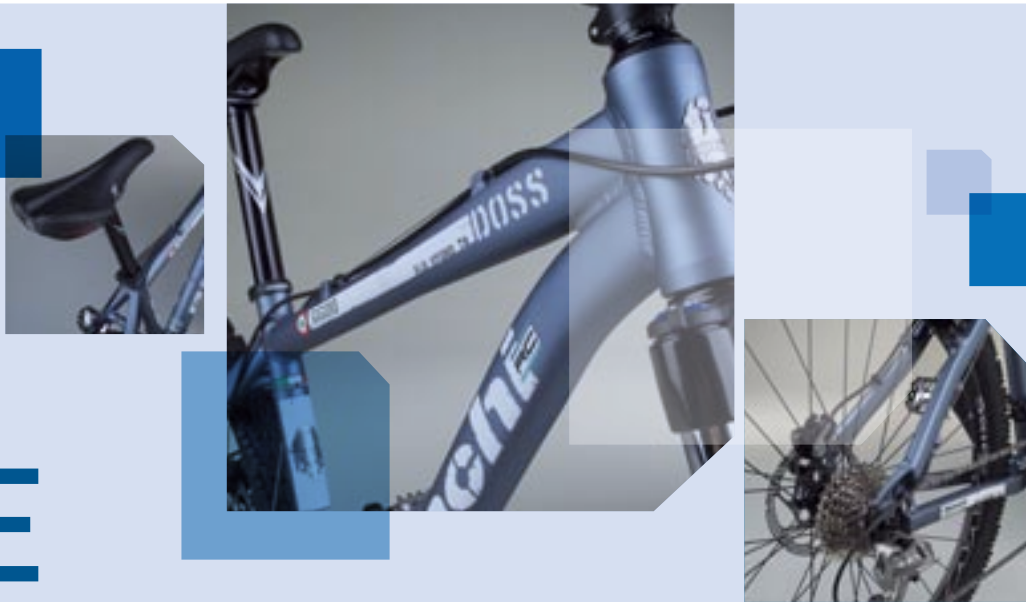
→ CCS SYSTEM, ANTI BOBBING AND NO ZAG → TRIPLE BUTTED ALUMINIUM ALLOY (6000 SERIES) → EXCLUSIVE REPARTO CORSE TUBING DESIGN → ALL MOUNTAIN GEOMETRY → 130 MM ACTIVE TRAVEL → UNIQUE SYSTEM ON THE MARKET  
 → ELIMINATES BOBBING WHILE PEDALING BUT ABSORBS THE BUMP FORCES → NO ZAG SET UP, NO EFFECT ON THE SET UP OF THE SHOCK BY RIDERS WEIGHT AND NO HANDLING CHANGE UNDER BRAKING → MADE FOR ALL MOUNTAIN

→ CCS SYSTEM, ANTI BOBBING AND NO ZAG → TRIPLE BUTTED ALUMINIUM ALLOY (6000 SERIES) → EXCLUSIVE REPARTO CORSE TUBING DESIGN → ALL MOUNTAIN GEOMETRY → 130 MM ACTIVE TRAVEL → UNIQUE SYSTEM ON THE MARKET  
 → ELIMINATES BOBBING WHILE PEDALING BUT ABSORBS THE BUMP FORCES → NO ZAG SET UP, NO EFFECT ON THE SET UP OF THE SHOCK BY RIDERS WEIGHT AND NO HANDLING CHANGE UNDER BRAKING → MADE FOR ALL MOUNTAIN

# MTB

## LEISURE

The Leisure mountain bikes are an ideal mix of performance and pleasure. Frames matched to technology and reliability, a combination which is not afraid of time and that promises to withstand any mistreatments typical of the "off-road" way of life. Geometry is less aggressive, more oriented towards stability and comfort. The front triangle is designed to give a more relaxed riding position, providing better manoeuvrability and control on descents and sharp turns. Quality is ensured by the 6000 series triple butted aluminium alloy and by the tube-to-tube TIG welding: tubes are light in the less stressed areas and stronger where greater reliability and rigidity are needed, to resist the torsional flex originated by pedalling and guarantee the utmost freedom of movement. The design is at the same time modern and elegant, characterized by the originality of the Reparto Corse Bianchi design. The special anti-corrosion surface treatment, synonymous with quality and durability, is another feature of these special frames.



### LEISURE

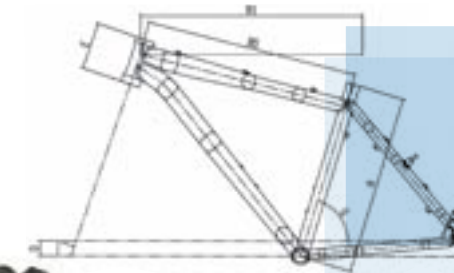
#### DOSS 6600 Al

SHIMANO LX/DEORE  
DISC HYDRAULIC

CODE: Y8B60  
COLOUR: AV  
FORK: ROCK SHOX DART 2 TURNKEY  
GROUP: SHIMANO LX/DEORE  
CRANKSET: FSA ALPHA DRIVE 44/32/22  
HANDLEBAR: RC HB-3188 ALLOY LOW RISE  
STEM: RC DA-35 3D FORGED ALLOY SUPER OVER  
SEATPOST: RC SP-222 ALLOY 31,6MM  
WHEELS: SHIMANO FH-M495L 32H/MACH 1 MX DISC  
WEIGHT: AVAILABLE ON OUR WEB SITE

ALSO AVAILABLE IN COLOUR CK  
AND DOSS 6400 AL SHIMANO LX/DEORE V-BRAKE Y8B87  
IN COLOUR 8Z AND GH

SIZE	A	B1	B5	D	E	C
380	548	522	48	138	77	
430	578	545	48	129	77	
480	590	565	48	130	77	
530	615	592	48	140	77	



→ DIFFERENT GEOMETRY FROM OETZI AND MUTT. MORE COMFORT/PERFORMANCE → TRIPLE BUTTED ALLUMINIUM ALLOY (6000 SERIES) → EXCLUSIVE REPARTO CORSE TUBING DESIGN → REDUCED WEIGHT → FLAT TIG WELDING  
→ SPECIAL ANTI-CORROSION SURFACE TREATMENT → RECREATIONAL FAST RIDING



# MTB

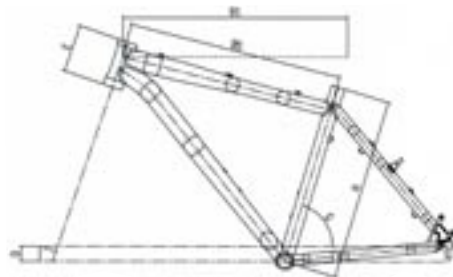
LEISURE

**DOSS 6100 Al**

SHIMANO DEORE/ALIVIO  
MIX DISC MECHANICAL

CODE : Y8B61  
 COLOUR: 6W  
 FORK: SUNTOUR XCT V2 MLO  
 GROUP: SHIMANO DEORE/ALIVIO  
 CRANKSET: FSA DYNADRIVE 42/32/22  
 HANDLEBAR: RC HB-3188 ALLOY LOW RISE  
 STEM: RC MA-58 ALLOY  
 SEATPOST: RC SP-222 ALLOY 31,6MM  
 WHEELS: SHIMANO FH-RM65 32H/MACH 1,  
 2.30 DISC  
 WEIGHT: AVAILABLE ON OUR WEB SITE  
 ALSO AVAILABLE IN COLOUR 8Z

SIZE	A	B1	B5	D	E	C
360	548	522	48	158	72"	
430	578	546	48	129	72"	
480	590	565	48	138	72"	
530	615	592	48	148	72"	



MADE IN ITALY, MADE BY PEOPLE.

## LEISURE

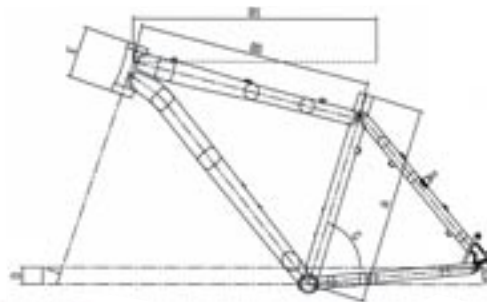
**DOSS 4800 Al**SHIMANO DEORE/ALIVIO  
MIX V-BRAKE

CODE: Y8B62  
 COLOUR: A4  
 FORK: SUNTOUR XCT V2  
 GROUP: SHIMANO DEORE  
 CRANKSET: FSA A-DRIVE XC 42/32/22  
 HANDLEBAR: RC HB-3188 ALLOY LOW RISE  
 STEM: RC MA-58 ALLOY  
 SEATPOST: RC SP-222 ALLOY 31,6MM  
 WHEELS: SHIMANO FH-RM30 /JOYTECH JY-731  
 32H/MACH 1,2.10 XC-TYPE, 32H

WEIGHT: AVAILABLE ON OUR WEB SITE

ALSO AVAILABLE IN COLOUR UR AND 8Z

SIZE	A	B1	B5	D	E	C
300	548	522	48	158	77	
430	578	545	48	129	77	
480	590	565	48	130	77	
530	615	592	48	140	77	



## LEISURE

**DOSS 4600 Al**

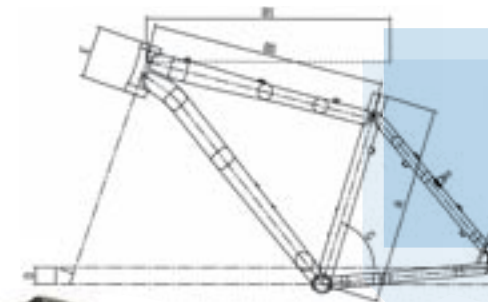
ACERA MIX V-BRAKE

CODE: Y8B63  
 COLOUR: 8Z  
 FORK: SUNTOUR XCT V2  
 GROUP: SHIMANO ACERA MIX  
 CRANKSET: PROWHEEL MA-A333 + 42/34/24  
 HANDLEBAR: RC HB-3188 ALLOY LOW RISE  
 STEM: RC MA-58 ALLOY  
 SEATPOST: RC SP-222 ALLOY 31,6MM  
 WHEELS: SHIMANO FH-RM30 /JOYTECH JY-731 32H

WEIGHT: AVAILABLE ON OUR WEB SITE

ALSO AVAILABLE IN COLOUR UR AND A4

SIZE	A	B1	B5	D	E	C
300	548	522	48	158	77	
430	578	545	48	129	77	
480	590	565	48	130	77	
530	615	592	48	140	77	



→ DIFFERENT GEOMETRY FROM OETZI AND MUTT. MORE COMFORT/PERFORMANCE → TRIPLE BUTTED ALLUMINIUM ALLOY (6000 SERIES) → EXCLUSIVE REPARTO CORSE TUBING DESIGN → REDUCED WEIGHT → FLAT TIG WELDING  
 →SPECIAL ANTI-CORROSION SURFACE TREATMENT →RECREATIONAL FAST RIDING

→ DIFFERENT GEOMETRY FROM OETZI AND MUTT. MORE COMFORT/PERFORMANCE → TRIPLE BUTTED ALLUMINIUM ALLOY (6000 SERIES) → EXCLUSIVE REPARTO CORSE TUBING DESIGN → REDUCED WEIGHT → FLAT TIG WELDING  
 →SPECIAL ANTI-CORROSION SURFACE TREATMENT → RECREATIONAL FAST RIDING

# MTB

# DIRT



The Bicycle is not only synonymous with technical performances, it can also mean fun and tricks. The Dirt range has been conceived to satisfy the demands of the modern 'tightrope walkers' of the two wheel world. The Dirt bikes are in aluminium, compact, low, aggressive, agile and quick. Easy to get going, to jump, to climb and to jump down from the pavements, and to win the daily challenges against the urban jungle. The frames are in triple butted 7000 series aluminium alloy, like those of Tour De France style racing bikes or cross country mountain bikes. The welding is well made and solid, designed to support all the stress and strain caused by jumping, without taking anything away from the aesthetics, thanks to the Hydro-forming technology. The components are ultra technical: the suspension forks guarantee control during landing, technical requirements which cannot be sacrificed.

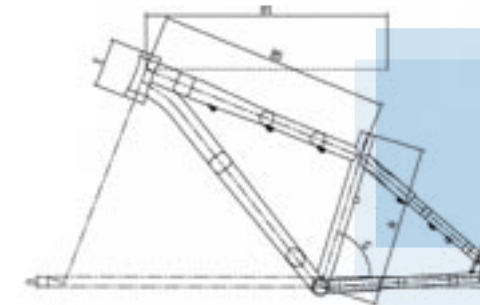
The disc brakes are powerful, precise and easily modulated, useful in reducing braking distance. Shapes are attractive and aggressive, characterised by strong and square profiles, with CNC-machined pieces, a rigid and compact rear triangle, together with the headtube, where the stresses of street acrobatics is concentrated. Finally, the special anti-corrosion treatment safeguards this object of fun for as long as possible.

## DIRT BIG ROO DIRT DEORE DISC

CODE: Y8BA7  
COLOUR: UR  
FORK: MARZOCCHI DIRT JAM PRO  
GROUP: SHIMANO DEORE  
CRANKSET: TRUATIV HUSSEFELT - HUSSE ROCKG 32/22  
HANDLEBAR: TRUATIV HUSSEFELT HB-06-RB-H1 ALLOY  
STEM: TRUATIV HUSSEFELT HS-06-H1 ALLOY  
SEATPOST: SELCOF ALLOY 31N - 31.4MM  
WHEELS: SHIMANO FH-M495L 32H /MACH 1 MX DISC  
WEIGHT: AVAILABLE ON OUR WEB SITE

ALSO AVAILABLE RED ROO DIRT ALMIO DISC MECHANICAL  
Y8BA8 IN COLOUR PR

POS.					
A	B1	B5	D	E	G
390	500	544	25	118	73'
480	600	576	25	125	73'



→ TRIPLE BUTTED ALUMINIUM ALLOY(7000 SERIES) → SPECIAL SQUARE SECTIONS → CNC YOKES FOR SEAT AND CHAIN STAYS → SUPER-HIGH RIGIDITY → ANTICORROSION SURFACE TREATMENT → SPECIFIC JUMP GEOMETRY

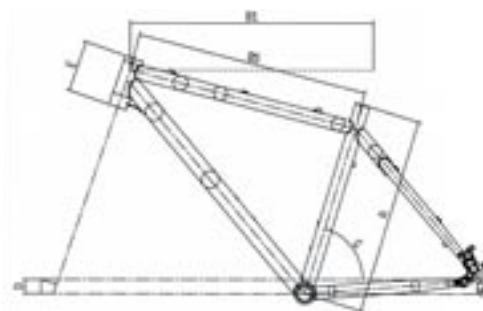
# MTB



# MTB frame

RACING  
OETZI Titanium

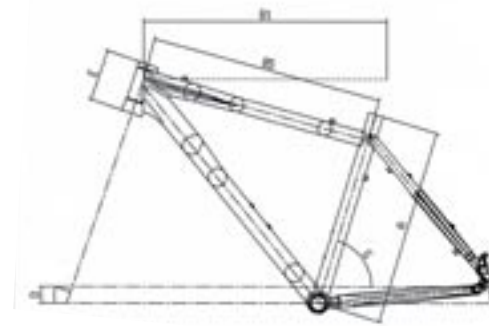
CODE: X8B50  
COLOUR: TO  
SIZE: 38-43-48-53  
REAR SHOCH: -  
HEADSET: FSA NO.12AY-6



MIS.						
A	B1	B5	D	E	C	
38	540	525	35	115	77	
43	570	545	35	115	77	
48	590	565	35	125	77	
53	615	585	35	135	77	

RACING  
OETZI Alu

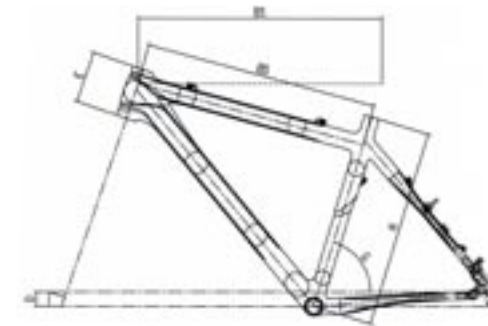
CODE: X8B51  
COLOUR: 6W  
SIZE: 38-43-48-53  
REAR SHOCH: -  
HEADSET: FSA ORBIT ZS  
ALSO AVAILABLE IN COLOUR CK AND AB



MIS.						
A	B1	B5	D	E	C	
38	540	525	35	115	77	
43	570	545	35	115	77	
48	590	565	35	125	77	
53	615	585	35	135	77	

RACING  
OETZI 9000 Carbon

CODE: X8B52  
COLOUR: EH  
SIZE: 43-48-53  
REAR SHOCH: -  
HEADSET: FSA ORBIT ZS



MIS.						
A	B1	B5	D	E	C	
43	570	545	35	115	77	
48	590	565	35	125	77	
53	615	585	35	135	77	

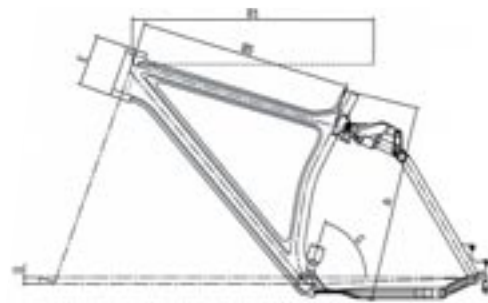


## RACING

### CAMOS xc

CARBON FULL SUSPENDED

CODE: X8B54  
 COLOUR: ET  
 SIZE: 45-48-53  
 REAR SHOCK: DT SWISS SSD 190 L LRCS LOCKOUT  
 REMOTE CONTROL  
 HEADSET: FSA ORBIT ZS  
 ALSO AVAILABLE IN COLOUR EG

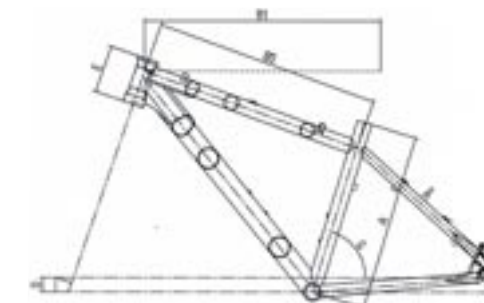


MIS.					
A	B	C	D	E	G
450	491	570	35	115	72°
480	515	590	35	125	72°
530	590	615	35	135	72°

## PERFORMANCE

### MUTT Alu

CODE: X8B53  
 COLOUR: GH  
 SIZE: 43-48-53  
 REAR SHOCK: -  
 HEADSET: FSA ZS4-CUSTOM  
 ALSO AVAILABLE IN COLOUR CK, KW AND BN



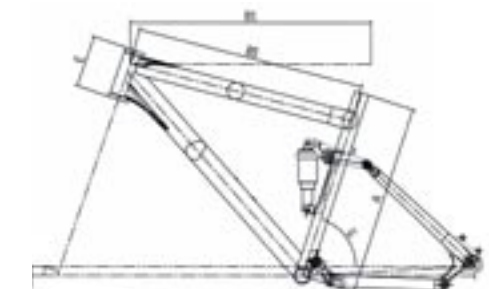
MIS.					
A	B	C	D	E	G
430	570	545	35	115	72°
480	590	565	35	125	72°
530	615	590	35	135	72°

## PERFORMANCE

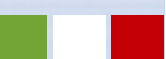
### CAAL xc

ALU FULL SUSPENDED

CODE: X8B55  
 COLOUR: A4  
 SIZE: 45-47-52  
 REAR SHOCK: -  
 REAR SHOCK: FOX FLOAT R  
 HEADSET: FSA ZS4-CUSTOM



MIS.					
A	B	C	D	E	G
420	545	573	22	118	72°
470	572	598	22	127	72°
520	598	613	22	138	72°



# SPORT



## CAMALEONTE

Pedaling for fun, to stay fit, but without giving up putting yourself to the challenge. Changing your "skin", how and when you see fit, just like a chameleon.

The range includes four models, designed to satisfy all your needs. Whether related to the 'look', or the real stuff. At the top Camaleonte IV: the personality of a very special racing bike, the look cared for down to the smallest detail. Camaleonte goes beyond the limits of the classic sports bike. The frame is made entirely in 7000 series aluminium alloy, the strongest and most resistant type, with triple-butted tubing and the same DNA as the purebred frames of the Reparto Corse range. In addition, the frame is entirely TIG-welded and protected by a special surface anti-corrosion treatment, increasing its resistance and its useful life.

Exclusive "made in Bianchi" design, moulded by means of Hydroforming technology, thanks to which it is possible to obtain an enhanced lightness-stiffness ratio. "Aggressive" geometry, featuring a sloping top tube which increases the reactivity of the bike and longer rear stays for added comfort.

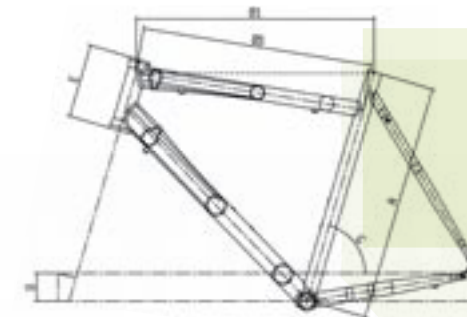
And the fork? In carbon, for the IV version, or aluminum for the Camaleonte III INN, III and II. On all models the handlebar stem is adjustable, in order to offer the maximum freedom when searching for that proper riding position: low and aerodynamic for challenging your weekend foes, higher and more upright to ride in total comfort.

Finally, the new entry, the Camaleonte III INN, fitted with the Shimano Alfine group and featuring extremely clean lines and an accurate gearshift built into the hub. The choice is now up to you.

### CAMALEONTE IV SHIMANO 105 MIX 10 SP TRIPLE

CODE: Y8BA9  
COLOUR: GH  
GROUP: SHIMANO 105 MIX  
CRANKSET: FSA OMEGA MEGAEXO TRIPLE 50/39/30  
HANDLEBAR: HL ALUMINIUM AL-110BT  
STEM: HL TDS-D392 B-8 3D FORGED ALLOY  
ADJUSTABLE  
SEATPOST: RC SP-222 ALLOY 31,6 MM  
WHEELS: SHIMANO WH-R500  
WEIGHT: AVAILABLE ON OUR WEB SITE  
ALSO AVAILABLE IN COLOUR CK

POS.	H1	H1	H2	D	E	G
430	526	582	85	126	74.5"	
490	540	523	85	130	74"	
530	558	545	85	145	75.5"	
580	585	574	85	175	77"	



→ TRIPLE BUTTED ALUMINIUM ALLOY (7000 SERIES) → EXCLUSIVE REPARTO CCORSE TUBING DESIGN → HYDROFORMED DOWN TUBE AND TOP TUBE → FOR CALIPER BRAKE → SPECIFIC SPORT GEOMETRY → UNIQUE DESIGN

# SPORT

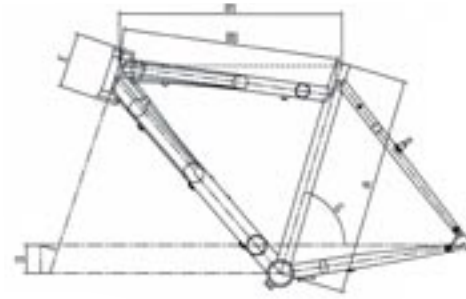


**Camaleonte III INN**  
SHIMANO ALFINE 8 SP

CODE: Y8BB3  
 COLOUR: KW  
 GROUP: SHIMANO ALFINE  
 CRANKSET: PROWHEEL "FLOW" ALLOY/CNC 44T  
 HANDLEBAR: HL ALUMINIUM AL-110BT EN-M 580MM  
 STEM: HL TDS-D392 B-8 3D FORGED ALLOY  
 ADJUSTABLE  
 SEATPOST: RC SP-222 ALLOY 31,6 MM  
 WHEELS: SHIMANO ALFINE INTERNAL HUB 8SP  
 32H/DEORE/AMBROSIO WS 23 BLACK  
 AVAILABLE ON OUR WEB SITE  
 WEIGHT: AVAILABLE ON OUR WEB SITE

ALSO AVAILABLE IN COLOUR CK  
 AND CAMALEONTE III SHIMANO TIAGRA 9SP MIX TRIPLE Y8BB1  
 IN COLOUR CK AND KW

MIS.	A1	B1	B5	D	E	G
430	525	506	65	120	74.5"	
480	545	525	65	130	74"	
530	565	545	65	145	73.5"	
580	590	575	65	175	77"	



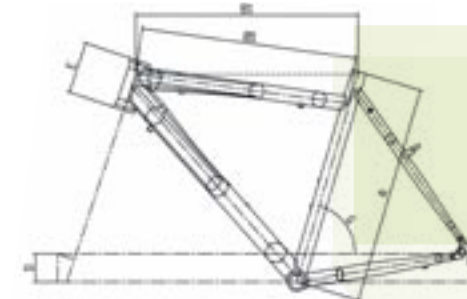
→ TRIPLE BUTTED ALUMINIUM ALLOY (7000 SERIES) → EXCLUSIVE REPARTO CCORSE TUBING DESIGN → HYDROFORMED DOWN TUBE AND TOP TUBE → FOR V-BRAKE → SPECIFIC SPORT GEOMETRY → UNIQUE DESIGN



**Camaleonte II**  
SHIMANO 2200 MIX 8 SP TRIPLE

CODE: Y8BB2  
 COLOUR: CK  
 GROUP: SHIMANO 2200 MIX  
 CRANKSET: PROWHEEL OUNCE-630 TRIPLE 50/39/30 8SP  
 HANDLEBAR: HL ALUMINIUM AL-110BT EN-M 580MM  
 STEM: LEE-CHI MA-527 ALLOY ADJUSTABLE  
 SEATPOST: RC SP-222 ALLOY 31,6 MM  
 WHEELS: JOYTECH F192SB /A141SB 28H/AMBROSIO  
 WS 23 BLACK  
 WEIGHT: AVAILABLE ON OUR WEB SITE  
 ALSO AVAILABLE IN COLOUR KW

MIS.	A1	B1	B5	D	E	G
430	525	506	65	120	74.5"	
480	545	525	65	130	74"	
530	565	545	65	145	73.5"	
580	590	575	65	175	77"	



→ TRIPLE BUTTED ALUMINIUM ALLOY (7000 SERIES) → EXCLUSIVE REPARTO CCORSE TUBING DESIGN → HYDROFORMED DOWN TUBE AND TOP TUBE → FOR V-BRAKE → SPECIFIC SPORT GEOMETRY → UNIQUE DESIGN



# CITY

## T-ROAD

Viale Abruzzi and Via delle Battaglie are the suggestive names of the bicycles from the T-Road range. Names which remind us of the historical seat of the Bianchi factory in Milan and today's residence in Treviglio (Bg).

These are agile bikes, accessorized, elegant and practical, which allow the rider to move easily and freely.

The frames, in triple butted 7000 series aluminium alloy, are simple and minimal, made with care to detail and through Hydroforming technology to increase resistance in the tube lugs, especially at the head tube, the one of the most stressed parts of a frame. Different components: Viale Abruzzi in a double version, for men and women, fully equipped, sporty yet comfortable at the same time, versatile, designed to face different tracks without any trouble.

Via delle Battaglie, instead, is a more essential, agile, and practical bicycle that likes to travel a long way. The large wheels, the adjustable stem, the rear carrier and mudguards make travelling easy and practical, yet at the same time maximising comfort.



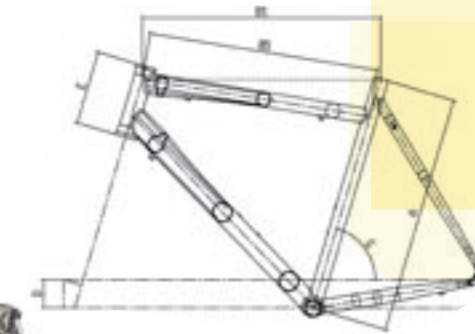
T-ROAD

VIA DELLE BATTAGLIE

SORA 27 SP TRIPLE

CODE: Y8BB4  
COLOUR: CT  
GROUP: SHIMANO SORA  
CRANKSET: SHIMANO SORA 50/39/30  
HANDLEBAR: ITM ALLOY T-ROAD  
STEM: HL TDS-D392 B-8 ALLOY ADJUSTABLE  
SEATPOST: RC SP-222 ALLOY 31,6MM  
WHEELS: SHIMANO SORA / DH-3N30-QR/AMBROSIO  
WS 23 BLACK 32H

POS.	H1	H1	H2	D	E	C
430	520	580	85	120	74.5"	
480	540	523	85	130	74"	
530	560	545	85	140	73.5"	
580	585	574	85	175	77"	



→ TRIPLE BUTTED ALUMINIUM ALLOY (7000 SERIES) → HYDROFORMING DOWN TUBE AND TOP TUBE → SPECIAL ANTI-CORROSION SURFACE TREATMENT → FLAT WELDING → FRAME SPORT GEOMETRY

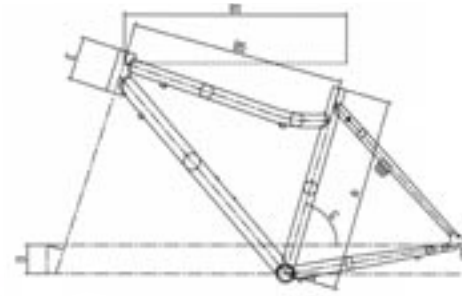
T-ROAD

**VIALE ABRUZZI Lady**  
SHIMANO 2200 16 SP COMPACT

CODE: Y8BB6  
 COLOUR: ED  
 GROUP: SHIMANO 2200  
 CRANKSET: PROWHEEL OUNCE-620C COMPACT 50/36  
 HANDLEBAR: ITM ALLOY T-ROAD  
 STEM: HL MTS-AL-109-2/5 3D FORGED ALLOY QUILL  
 SEATPOST: LEE-CHI SP-232 ALLOY 27,2MM  
 WHEELS: JOYTECH F192DSE/A171DSE 28H/ AMBROSIO WS 23 BLACK 28H

ALSO AVAILABLE IN COLOUR CK

M35					
H1	H1	H2	D	E	G
430	525	586	65	100	74.5"
479	540	529	65	110	74"



→ TRIPLE BUTTED ALUMINIUM ALLOY (7000 SERIES) → ROUND DOWN TUBE AND BENT TOP TUBE → SPECIAL ANTI-CORROSION SURFACE TREATMENT → SPECIFIC CITY/SPORT GEOMETRY

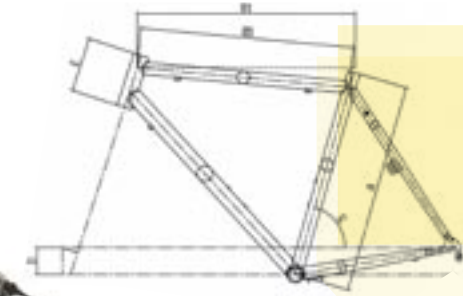
T-ROAD

**VIALE ABRUZZI Gent**  
SHIMANO 2200 16 SP COMPACT

CODE: Y8BB5  
 COLOUR: CK  
 GROUP: SHIMANO 2200  
 CRANKSET: PROWHEEL OUNCE-620C COMPACT 50/36  
 HANDLEBAR: ITM ALLOY T-ROAD  
 STEM: HL MTS-AL-109-2/5 3D FORGED ALLOY QUILL  
 SEATPOST: LEE-CHI SP-232 ALLOY 27,2MM  
 WHEELS: JOYTECH F192DSE/A171DSE 28H/AMBROSIO WS 23 BLACK 28H

ALSO AVAILABLE IN COLOUR ED

M35					
H1	H1	H2	D	E	G
470	540	586	65	100	74"
509	555	524	65	125	73.5"
550	570	558	65	145	73"



→ TRIPLE BUTTED ALUMINIUM ALLOY (7000 SERIES) → ROUND DOWN TUBE AND TOP TUBE → SPECIAL ANTI-CORROSION SURFACE TREATMENT → SPECIFIC CITY/SPORT GEOMETRY

# CITY

## CROSS TERRAIN

The Beach Cruisers or “beach bikes” used by surfers to carry their surfboards, can now be used around the cities. Bianchi launches the Cross Terrain range and proposes the Milano, more than a simple bike for leisure time: Milano is a fashion bicycle, irresistibly attractive, kitted out accessories and components which make this bike useful and efficient in the inner city.

Milano is the bike for in-vogue people, a trendy bike, without compromises concerning quality: frames are made from aluminium alloy, using tube-to-tube TIG-welding, relaxed geometries conceived to ensure manoeuvrability, safety and maximum comfort to the upper body. Large wheels ensure full control of the bicycle even over bumpy terrain, such as cobblestone and tramways. The flat-type handlebars, similar to those used on Mountain Bikes, are wide and efficient and are fitted shifters attached to the grips, which are easy and intuitive to use, for men and women, either when speeding up or slowing down. Finally, for the connoisseurs, the choice of the Shimano Alfine group makes Milano even more essential and easy to use.



### CROSS TERRAIN

#### MILANO Gent

ALFINE 8 SP

CODE: Y8B74  
COLOUR: CK  
GROUP: SHIMANO ALFINE INTERNAL GEAR HUB  
CRANKSET: PROWHEEL PI-244A ALLOY WITH STEEL RING 44T  
HANDLEBAR: HL ARC-AL-540 ALLOY  
STEM: KALLOY AS-6026 2D-FORGED ALLOY  
SEATPOST: RC SP-928-G CARBON FIBER 27,2 MM  
WHEELS: SHIMANO ALFINE/HB-RM65/ALEX ACE19 ALLOY 36H

ALSO AVAILABLE MILANO LADY ALFINE 8 SP Y8B75



→ ALUMINIUM TUBING (6061 SERIES) → SPECIFIC GEOMETRY → PULSE TIG WELDED → THE PERFECT BIKE FOR CRUISING ALONG THE BEACH OR IN THE CITY → VERY COMFORTABLE BECAUSE OF THE GEOMETRY OF THE FRAME, HANDLEBAR AND THE WELL PADDED SADDLE

# CITY

## CROSS TERRAIN

**MILANO CITTÀ** Gent

ALIVIO 8 SP

CODE: Y8B70  
 COLOUR: ED  
 GROUP: SHIMANO ALIVIO  
 CRANKSET: PROWHEEL PI-244A ALLOY WITH STEEL RING 44T  
 HANDLEBAR: HL ARC-AL-540 ALLOY  
 STEM: KALLOY 6025 ALLOY TIG-WELDED  
 SEATPOST: KALLOY SP-359 ALLOY 27,2MM  
 WHEELS: JOYTECH FH-818DSE ALLOY 36H/JY-761DSE /ALEX ACE19 ALLOY 36H

ALSO AVAILABLE IN COLOUR CK  
 AND MILANO CITTA' LADY ALIVIO 8 SP Y8B71



→ ALUMINIUM TUBING (6061 SERIES) → SPECIFIC GEOMETRY → PULSE TIG WELDED → THE PERFECT BIKE FOR CRUISING ALONG THE BEACH OR IN THE CITY → VERY COMFORTABLE BECAUSE OF THE GEOMETRY OF THE FRAME, HANDLEBAR AND THE WELL PADDED SADDLE

## CROSS TERRAIN

**MILANO PARCO** Lady

NEXUS 3 SP

CODE: Y8B73  
 COLOUR: 6I  
 GROUP: SHIMANO NEXUS SG-3R40 3-SPEED  
 CRANKSET: PROWHEEL PI-244A ALLOY WITH STEEL RING 44T  
 HANDLEBAR: HL ARC-AL-540 ALLOY  
 STEM: KALLOY 6025 ALLOY TIG-WELDED  
 SEATPOST: KALLOY SP-359 ALLOY 27,2MM  
 WHEELS: SHIMANO NEXUS SG-3R40 3/JOYTECH JY-761DSE/ALEX ACE19 ALLOY 36H

ALSO AVAILABLE IN COLOUR CK  
 AND MILANO PARCO GENT NEXUS 3 SP Y8B72



→ ALUMINIUM TUBING (6061 SERIES) → SPECIFIC GEOMETRY → PULSE TIG WELDED → THE PERFECT BIKE FOR CRUISING ALONG THE BEACH OR IN THE CITY → VERY COMFORTABLE BECAUSE OF THE GEOMETRY OF THE FRAME, HANDLEBAR AND THE WELL PADDED SADDLE



# CITY

## S-ROAD

To be able to move comfortably in the city, without having to sacrifice efficiency: the S-Road series have been conceived with all the accessories needed to make the daily journeys comfortable without sacrificing the speed and agility needed. It is enough to glance at the 'Spillo' range to understand that we are not dealing with simple city bikes, these are designed to offer maximum comfort without excluding efficiency and agility. There are specific geometries for both men and women. The new frames are made from 7000 series aluminium alloy; a material that remarkably increases resistance and longevity. The fitted accessories is totally complete and transforms the 'Spillo' into a means of transport which lacks nothing, from the daily commute to those longer weekend trips. The rear carrier, fixed directly to the frame, is wide and well structured offered a secure fixing point. The chain cover efficiently protects the legs from a dirty chain. The triple chainset is a technical detail that makes the difference, it does not place limits to the dream and to the joy of cycling. The range of gears is therefore progressive and almost infinite, allowing for greater adaptability over different terrains. The accessories have also been closely studied: the adjustable handlebar, the front and rear mudguards, and the lights; designed to enable you to travel safely even in bad light conditions. Then the fork: in aluminium, rigid or with suspension, according to your individual needs... and there you can find that special feeling!



S-Road

**SPILLO DIAMANTE** Gent

DEORE 27 SP COMFORT

CODE: Y8B707  
COLOUR: CK  
GROUP: SHIMANO DEORE BLACK  
STEM: PROMAX ADJUST MA-525S  
HANDLEBAR: HL-NR-AL16 BLACK  
SEATPOST: SP-80 SUSP. 27,2MM  
WHEELS: SHIMANO 2N-30 2.4 W/RM-30 36H/  
SPECTRA BLACK 36H 9X4



→ NEW FRAME HYDROFORMED IN ALLOY 7000 SERIES → NEW SUSPENSION FORK → ADJUSTABLE STEM → FULL EQUIPMENT

# CITY

S-ROAD

**SPILLO ZAFFIRO** Gent

ALIVIO 24 SP COMFORT

CODE: Y8B764  
 COLOUR: CK  
 GROUP: SHIMANO ALIVIO BLACK  
 STEM: PROMAX ADJUST MA-525S  
 HANDLEBAR: HL-NR-AL16 BLACK  
 SEATPOST: SP-80 SUSP. 27,2MM  
 WHEELS: SHIMANO 2N-30 2.4 W/RM-30 36H  
 SPECTRA BLACK 36H 9X4

ALSO AVAILABLE IN COLOUR GL



S-ROAD

**SPILLO ZAFFIRO** Lady

ALIVIO 24 SP COMFORT

CODE: Y8B774  
 COLOUR: GL  
 GROUP: SHIMANO ALIVIO BLACK  
 STEM: PROMAX ADJUST MA-525S  
 HANDLEBAR: HL-NR-AL16 BLACK  
 SEATPOST: SP-80 SUSP. 27,2MM  
 WHEELS: SHIMANO 2N-30 2.4 W/RM-30 36H/  
 SPECTRA BLACK 36H 9X4

ALSO AVAILABLE IN COLOUR CK

S-ROAD

**SPILLO TOPAZIO** Lady

ACERA 24 SP RIGID

CODE: Y8B794  
 COLOUR: CK  
 GROUP: SHIMANO ACERA BLACK  
 STEM: HL-MTS-AL-109  
 HANDLEBAR: HL-NR-AL16 BLACK  
 SEATPOST: SP-232 ALLOY 27,2MM  
 WHEELS: JOYTECH JY-731/SHIMANO RM-30  
 36H/MACH 1 EXE ALU DW BLACK

ALSO AVAILABLE IN COLOUR AB



S-ROAD

**SPILLO TOPAZIO** Gent

ACERA 24 SP RIGID

CODE: Y8B784  
 COLOUR: AB  
 GROUP: SHIMANO ACERA BLACK  
 STEM: HL-MTS-AL-109  
 HANDLEBAR: HL-NR-AL16 BLACK  
 SEATPOST: SP-232 ALLOY 27,2MM  
 WHEELS: JOYTECH JY-731/SHIMANO RM-30 36H/  
 MACH 1 EXE ALU DW BLACK

ALSO AVAILABLE IN COLOUR CK



S-ROAD

**SPILLO BRILLANTE** Lady

ALTUS 21 SP RIGID

CODE: Y8B711  
 COLOUR: 61  
 GROUP: SHIMANO ALTUS BLACK  
 STEM: HL-MTS-AL-109  
 HANDLEBAR: HL-NR-AL16 BLACK  
 SEATPOST: SP-232 ALLOY 27,2MM  
 WHEELS: JOYTECH JY-731/JY-732 36H SILVER/  
 MACH 1 EXE ALU DW BLACK

ALSO AVAILABLE IN COLOUR ED



→ NEW FRAME ALLOY → ALTUS 21 SPEED → FULL EQUIPMENT



S-ROAD

**SPILLO RUBINO** Gent

TX 51 21 SP RIGID

CODE: Y8B741  
 COLOUR: F8  
 GROUP: SHIMANO TX-51  
 STEM: HL-MTS-C231-5 SILVER  
 HANDLEBAR: HL-NR-AL16 SILVER  
 SEATPOST: SP-232 ALLOY 27,2MM  
 WHEELS: JOYTECH JY-731/JY-732 36H SILVER/  
 MACH 1 M110 ALU SW SILVER

ALSO AVAILABLE IN COLOUR KW AND A4



S-ROAD

**SPILLO RUBINO** Lady

TX 51 21 SP RIGID

CODE: Y8B751  
 COLOUR: KW  
 GROUP: SHIMANO TX-51  
 STEM: HL-MTS-C231-5 SILVER  
 HANDLEBAR: HL-NR-AL16 SILVER  
 SEATPOST: SP-232 ALLOY 27,2MM  
 WHEELS: JOYTECH JY-731/JY-732 36H SILVER/  
 MACH 1 M110 ALU SW SILVER

ALSO AVAILABLE IN COLOUR A4 AND F8



→ NEW FRAME ALLOY → TY 51 21 SPEED → FULL EQUIPMENT



S-ROAD

**SPILLO ONICE** cROSS GentDEORE 27 SP  
DISC SUSP.FORK

CODE: Y8B387  
 COLOUR: GA  
 GROUP: SHIMANO DEORE BLACK  
 STEM: PROMAX ADJUST MA-525S  
 HANDLEBAR: HL MTB-AL-110 ALLOY  
 SEATPOST: SP-80 SUSP. 27,2MM  
 WHEELS: SHIMANO RM65/SPECTRA BLACK  
 32H 8X4



→ NEW FRAME HYDROFORMED IN ALLOY 7000 SERIES → DEORE 27 SP → NEW SUSPENSION FORK → ADJUSTABLE STEM → DISC BRAKE MECHANICAL

S-ROAD

**SPILLO QUARZO** cROSS GentACERA 24 SP  
V-BRAKE SUSP.FORK

CODE: Y8B344  
 COLOUR: F8  
 GROUP: SHIMANO ACERA BLACK  
 STEM: PROMAX ADJUST MA-525S  
 HANDLEBAR: HL MTB-AL-110 ALLOY  
 SEATPOST: SP-80 SUSP. 27,2MM  
 WHEELS: JOYTECH JY-731 32H/SHIMANO RM-30  
 SPECTRA BLACK 32H 8X4

ALSO AVAILABLE IN COLOUR KW



→ NEW FRAME HYDROFORMED IN ALLOY 7000 SERIES → ACERA 24 SP → NEW SUSPENSION FORK → ADJUSTABLE STEM



S-ROAD

**SPILLO QUARZO** cROSS LadyACERA 24 SP  
V-BRAKE SUSP.FORK

CODE: Y8B354  
 COLOUR: KW  
 GROUP: SHIMANO ACERA BLACK  
 STEM: PROMAX ADJUST MA-525S  
 HANDLEBAR: HL MTB-AL-110 ALLOY  
 SEATPOST: SP-80 SUSP. 27,2MM  
 WHEELS: JOYTECH JY-731 32H/SHIMANO RM-30/  
 SPECTRA BLACK 32H 8X4

ALSO AVAILABLE IN COLOUR F8





ROAD				
	<b>MODEL</b>	<b>SPECIAL D2</b> Ciclocross alu "AXIS" LX/Tiagra 9 sp	<b>SPECIAL D2 JUNIOR 24"</b> ALU Shimano 2200 16 sp	<b>DAMA BIANCA VALENTINA</b> 928 Carbon T- CUBE Sram RIVAL 10 sp Compact Y8B29 <b>DAMA BIANCA DANIELA</b> 928 Carbon T- CUBE Veloce 10 sp Compact Y8B30 <b>DAMA BIANCA SILVIA</b> Ultegra mx Triple LADY Y8B34 ED-6l <b>DAMA BIANCA ELENA</b> Mirage/Race 10 sp Triple LADY Y8B12 ED-6l
FRAMESET	<b>CODE</b>	Y8B15	Y8B33	
	<b>COLOURS</b>	ED	CN	
	<b>FRAME</b>	Bianchi D2 Cyclocross Alu 7005 Hydroforming sizes 49-52-55-58-61	Bianchi D2 Aluminium 24" sizes 41cm)	Bianchi DAMA BIANCA 928 CARBON T-CUBE - lady geometry sloping sizes 44-47-50-53
	<b>FORK</b>	Bianchi FC7 - Carbon/Alu 11/8"	Bianchi FC07 - steel 1"	Bianchi FFV Full Carbon 11/8"
	<b>SHIFTER</b>	Shimano TIAGRA	Shimano 2200	Shimano ULTEGRA
	<b>REAR DERAILLEUR</b>	Shimano LX	Shimano 2200	Shimano ULTEGRA
DRIVETRAIN	<b>FRONT DERAILLEUR</b>	Shimano TIAGRA	Shimano 2200	Shimano ULTEGRA
	<b>CRANKSET</b>	Prowheel QUNCE-620C Compact 50/36	Fac Michelin YOUNG 1985T 45/35	Fsa SL-K Mega Exo Compact 50/34
	<b>CHAIN</b>	Sram PC 951	Fac Michelin YOUNG 1985T 45/35	Sram PC 1090
	<b>SPROCKET</b>	Sram PG-950 11/32	Fac Michelin PRIMATO 16/24 8 sp	Sram OG-170 OpenGlide 12/26
WHEELS	<b>REAR HUB</b>	Shimano TIAGRA 32H	Joytech F1925B alloy 28h	Mavic KSYRIUM EQUIPE black
	<b>FRONT HUB</b>	Shimano TIAGRA 32H	Joytech A1415B alloy 28h	
COMPONENTS	<b>RIMS</b>	Mavic CXP 225	Amrosio BALANCE 24" 28h	
	<b>TIRES</b>	WTB CROSS WOLF Comp 700x32	Kenda CONCEPT 24" 25-520	Continental GRAND PRIX 4-Season 700x23
	<b>HEADSET</b>	Fsa ORBIT Z Deep	Fac Michelin TEAM Threadless 13034, 1"	Fsa ORBIT CE Plus
	<b>STEM</b>	RC DA-32 3D forged alloy	HL-TDS-120-8 50mm	RC DA-32 3D forged alloy
	<b>HANDLEBAR</b>	Dedaelementi BIG PIEGA Alloy NO	Itn Road Racing NR40 38cm	Itn ELLE Alu
	<b>BAR END</b>	NO		
	<b>SEATPOST</b>	RC SP-928-G Carbon fiber 31,6 mm	SP 232 27,2mm	Dedaelementi MAGIC STICK - carbon fiber 31,6mm
	<b>SADDLE</b>	WTB ROCKET V Comp OE	Selle Italia JUNIOR LIRO	San Marco ASPIDE GLAMOUR
	<b>GRIPS</b>	VELO VLT-004	LA SPIRALE RIBBON	LA SPIRALE RIBBON
	<b>BRAKES</b>	Avid SHORTY 4 cantilever	RC-452 Al forged	Campagnolo VELOCE
<b>WATERBOTTLE HANGER</b>	NO	Aluminium	Bianchi Carbon DR.DOBERMANN	

MTB				
	<b>MODEL</b>	<b>RACING</b> OETZI 9800 Titanium XTR Disc	<b>RACING</b> OETZI 9800 Aluminium XTR Disc	<b>RACING</b> OETZI 9200 Aluminium XT/LX Disc
FRAMESET	<b>CODE</b>	Y8BA5	Y8BA6	Y8B89
	<b>COLOURS</b>	TO	CK-AB	CK-6W
	<b>FRAME</b>	Bianchi Oetzi Titanium sizes 38-43-48-53	Bianchi Oetzi Aluminium sizes 38-43-48-53	Bianchi Oetzi Carbon Monocoque sizes 38-43-48-53
	<b>REAR SHOCK</b>	-	-	-
	<b>FORK</b>	Marzocchi MARATHON CORSA SL World Cup 80mm travel Lockout Remote Control	Marzocchi MARATHON CORSA SL World Cup 80mm travel Lockout Remote Control	Marzocchi MARATHON CORSA LT 100mm travel Lockout Remote Control
	<b>SHIFTER</b>	Shimano XTR	Shimano XTR	Shimano XT
DRIVETRAIN	<b>REAR DERAILLEUR</b>	Shimano XTR	Shimano XTR	Shimano XT
	<b>FRONT DERAILLEUR</b>	Shimano XTR	Shimano XTR	Shimano XT
	<b>CRANKSET</b>	Fsa TEAM ISSUE MegaExo 44/32/22	Fsa TEAM ISSUE MegaExo 44/32/22	Fsa TEAM ISSUE MegaExo 44/32/22
	<b>CHAIN</b>	Shimano CN7701	Shimano CN7701	Shimano XTR
WHEELS	<b>SPROCKET</b>	Shimano XTR 11/34	Shimano XTR 11/34	Shimano XTR 11/34
	<b>WHEELS</b>	Mavic CROSSMAX SLR Disc	Mavic CROSSMAX SLR Disc	Mavic CROSSMAX SLR Disc
COMPONENTS	<b>REAR HUB</b>			
	<b>FRONT HUB</b>			
	<b>RIMS</b>			
	<b>TIRES</b>	Michelin XCR Dry 2 Tubeless 26x2.00	Michelin XCR Dry 2 Tubeless 26x2.00	Michelin XCR A/T 26"x2.00
	<b>HEADSET</b>	Fsa NO.12AY-6	Fsa ORBIT ZS	Fsa ORBIT ZS
	<b>STEM</b>	Fsa OS 115C Carbon cup	Fsa OS 115C CARBON CUP	Fsa OS 115C CARBON CUP
	<b>HANDLEBAR</b>	Fsa K-FORCE Flat OS 3-K Carbon/Kevlar	Fsa K-FORCE Flat OS 3-K Carbon/Kevlar	Fsa K-FORCE Flat OS 3-K Carbon/Kevlar
	<b>SEATPOST</b>	Pmp Carbon 31,6mm	Pmp Carbon 31,6mm	Pmp Carbon 31,6mm
	<b>SADDLE</b>	San Marco CAYMANO Bilanciata	San Marco CAYMANO Bilanciata	San Marco CAYMANO Bilanciata
	<b>GRIPS</b>	Wtb WEIRWOLF	Wtb WEIRWOLF	Wtb WEIRWOLF
<b>BRAKES</b>	Shimano XTR disc	Shimano XTR disc	Shimano XT disc	
<b>WATERBOTTLE HANGER</b>	NO	Elite CIUSSI GEL black	Elite CIUSSI GEL black	

MTB				
	<b>MODEL</b>	<b>RACING</b> CAMOS 8900 XC Carbon FS XTR Disc	<b>RACING</b> CAMOS 8700 XC Carbon FS XTR/XT Disc	<b>RACING</b> CAMOS 8500 XC Carbon FS XT/LX Disc
FRAMESET	<b>CODE</b>	Y8B97	Y8B96	Y8B86
	<b>COLOURS</b>	ET	EG	ET
	<b>FRAME</b>	Bianchi CAMOS Carbon FS 80mm travel sizes 45-48-53	Bianchi CAMOS Carbon FS 80mm travel sizes 45-48-53	Bianchi CAMOS Carbon FS 80mm travel sizes 45-48-53
	<b>REAR SHOCK</b>	Dt Swiss SSD 190 L LRCS 152mm SSD Lockout Remote control	Dt Swiss SSD 190 L LRCS 152mm SSD Lockout Remote control	Dt Swiss SSD 190 L LRCS 152mm SSD Lockout Remote Control
	<b>FORK</b>	Marzocchi MARATHON CORSA SL World Cup 100mm travel Remote Control	Marzocchi MARATHON CORSA LT 100mm travel Lockout Remote Control	Marzocchi MARATHON CORSA LT 100mm travel Lockout Remote Control
	<b>SHIFTER</b>	Shimano XTR	Shimano XTR	Shimano LX
DRIVETRAIN	<b>REAR DERAILLEUR</b>	Shimano XTR	Shimano XTR	Shimano XT
	<b>FRONT DERAILLEUR</b>	Shimano XTR	Shimano XTR	Shimano XT
	<b>CRANKSET</b>	Fsa TEAM ISSUE MegaExo 44/32/22	Shimano XT 44/32/22	Shimano LX 44/32/22
	<b>CHAIN</b>	Shimano XTR	Shimano XT 11/32	Shimano LX 11/32
WHEELS	<b>SPROCKET</b>	Shimano XTR 11/34	Shimano XT 11/32	Shimano LX 11/32
	<b>WHEELS</b>	Mavic CROSSMAX SLR Disc	Mavic CROSSTRAIL Disc	Mavic CROSSRIDE Disc
COMPONENTS	<b>REAR HUB</b>			
	<b>FRONT HUB</b>			
	<b>RIMS</b>			
	<b>TIRES</b>	Michelin XCR Dry 2 Tubeless 26x2.00	Michelin XCR DRY 2 Tubeless 26x2.00	Michelin XC Dry 2 26x2.00
	<b>HEADSET</b>	Fsa ORBIT ZS	Fsa ORBIT ZS	Fsa ORBIT ZS
	<b>STEM</b>	Fsa OS 115C Carbon cup	Fsa OS 115C CARBON CUP	Fsa OS 115C CARBON CUP
	<b>HANDLEBAR</b>	Fsa K-FORCE Flat OS 3-K Carbon/Kevlar	Fsa K-FORCE Flat OS 3-K Carbon/Kevlar	Fsa K-FORCE Flat OS 3-K Carbon/Kevlar
	<b>SEATPOST</b>	Pmp Carbon 31,6mm	Pmp Carbon 31,6mm	Pmp Carbon 31,6mm
	<b>SADDLE</b>	San Marco CAYMANO Bilanciata	San Marco CAYMANO Bilanciata	San Marco CAYMANO Bilanciata
	<b>GRIPS</b>	Wtb WEIRWOLF	Wtb WEIRWOLF	Wtb WEIRWOLF
<b>BRAKES</b>	Shimano XTR disc	Shimano XT disc	Shimano LX disc	
<b>WATERBOTTLE HANGER</b>	Elite CIUSSI GEL black	Elite CIUSSI GEL black	Elite CIUSSI GEL black	

MTB				
	<b>MODEL</b>	<b>PERFORMANCE</b> SOK 29" SINGLE SPEED Disc	<b>PERFORMANCE</b> SOK 29" SRAM X.9/X.7 Disc	<b>PERFORMANCE</b> CAAL 8400 XC Full Suspended Alu TB XT/LX Disc
FRAMESET	<b>CODE</b>	Y8B68	Y8B69	Y8B91
	<b>COLOURS</b>	LB	BR	A4
	<b>FRAME</b>	EASTON ULTRALITE DB ALLOY 29" sizes 45-50-55	EASTON ULTRALITE DB ALLOY 29" sizes 45-50-55	Bianchi CAAL Aluminium Triple Butted sizes: 42-47-52
	<b>REAR SHOCK</b>	-	-	FOX Float R
	<b>FORK</b>	Rockshox REBA SL 29" 100mm tarvel	Rockshox REBA SL 29" 100mm tarvel	Marzocchi MARATHON CORSA LT 100mm travel Lockout Remote Control
	<b>SHIFTER</b>	NO	Sram X.7 trigger	Shimano LX
DRIVETRAIN	<b>REAR DERAILLEUR</b>	NO	Sram X.9	Shimano XTR
	<b>FRONT DERAILLEUR</b>	NO	Sram X.7	Shimano LX
	<b>CRANKSET</b>	Sram STYLO 1.1G 32T	Sram STYLO 3.3 44/32/22	Fsa TEAM ISSUE MegaExo 44/32/22
	<b>CHAIN</b>	Kmc Z610H	Sram PC951	Kmc X9
WHEELS	<b>SPROCKET</b>	Wtb 18T	Sram PG-950 11/32	Shimano DEORE 11/32
	<b>WHEELS</b>	Wtb SPEEDDISC black 29"	Wtb SPEEDDISC All Mountain 29"	Shimano DEORE 11/32
COMPONENTS	<b>REAR HUB</b>			
	<b>FRONT HUB</b>			
	<b>RIMS</b>			
	<b>TIRES</b>	Wtb EXIWOLF RACE 29" X 2.3"	Wtb EXIWOLF RACE 29" X 2.3"	Mavic XM 317 disc 32h
	<b>HEADSET</b>	VP-A71 alloy 11/8"	VP-A71 alloy 11/8"	Michelin XC Dry 2 26x2.00
	<b>STEM</b>	TRUVATIV XR 3D ALLOY FORGED	TRUVATIV XR 3D ALLOY FORGED	ZS4-CUSTOM
	<b>HANDLEBAR</b>	Truvativ HB-RB XR 3D Riser Alloy	Truvativ HB-RB XR 3D Riser Alloy	Fsa OS-190LX
	<b>SEATPOST</b>	Wtb CXC alloy 27,2mm	Wtb CXC alloy 27,2mm	Fsa XC-282A-OS
	<b>SADDLE</b>	Wtb PURE V Classic	Wtb PURE V Classic	RC DA-35 3D FORGED ALLOY SUPER OVER
	<b>GRIPS</b>	Wtb WEIRWOLF	Wtb WEIRWOLF	Fsa XC-282A-OS
<b>BRAKES</b>	Sram BB7 mechanical disc 160mm rotor	Avid JUICY 7 disc	Shimano XTR disc	
<b>WATERBOTTLE HANGER</b>	NO	Wellgo LU-207	NO	

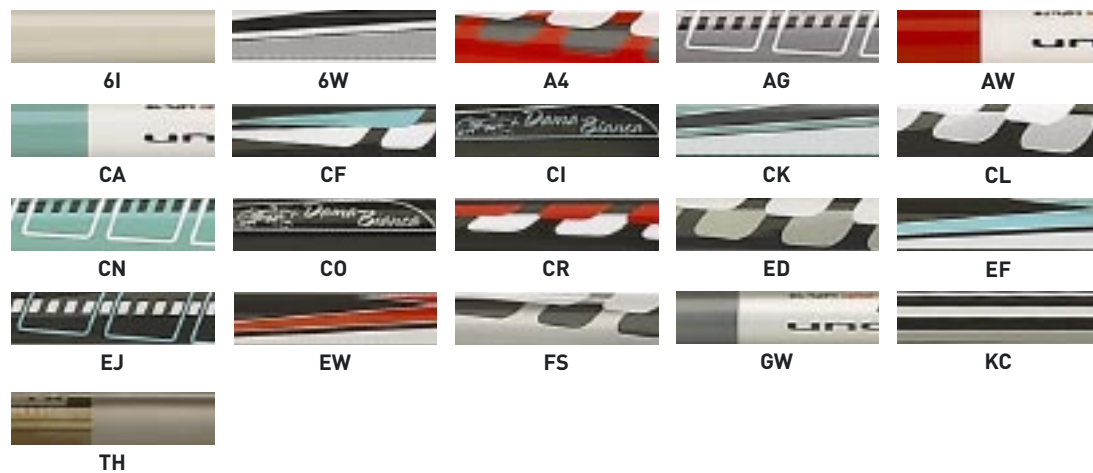






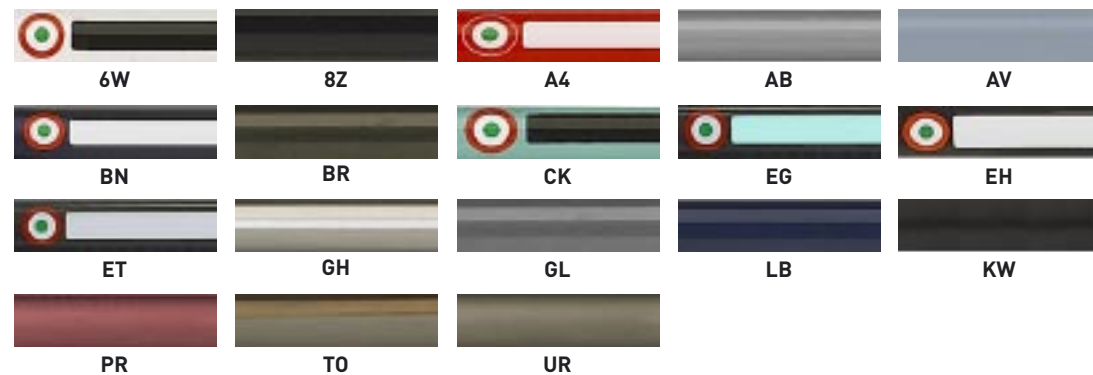
ROAD

- |    |                                 |    |  |
|----|---------------------------------|----|--|
| 6I | (WHITE SPECIAL)                 | CO | (NATURAL CARBON/WHITE DECALS)            |
| 6W | (WHITE REGULAR)                 | CR | (NATURAL CARBON/RED DECALS)              |
| A4 | (RED REGULAR)                   | ED | (METAL BLACK)                            |
| AG | (SILVER GUN GLOSS)              | EJ | (NATURAL CARBON UD/CELESTE-WHITE DECALS) |
| AW | (RED REGULAR/WHITE REGULAR)     | EW | (NATURAL CARBON UD/RED DECALS)           |
| CA | (CELESTE/WHITE REGULAR)         | FS | (SILVER GLOSS)                           |
| CF | (NATURAL CARBON/CELESTE DECALS) | GW | (GRANITE/SILVER GLOSS)                   |
| CI | (NATURAL CARBON/CELESTE DECALS) | KC | (CHROMIUM PLATED)                        |
| CK | (CELESTE BIANCHI)               | TH | (NATURAL TITANIUM)                       |
| CL | (NATURAL CARBON/WHITE DECALS)   |    |  |
| CN | (CELESTE BIANCHI JUNIOR)        |    |  |



MTB

- |    |                          |    |                                  |
|----|--------------------------|----|----------------------------------|
| 6W | (WHITE REGULAR)          | EH | (NATURAL CARBON UD/WHITE DECALS) |
| 8Z | (BLACK GLOSS)            | ET | (NATURAL CARBON/WHITE REGULAR)   |
| A4 | (RED REGULAR)            | GH | (METAL GREYHOUND)                |
| AB | (SILVER GUN MATT)        | GL | (TYPHOON GREY GLOSS)             |
| AV | (AVION MATT)             | LB | (LUSTER BLUE)                    |
| BN | (BLU MIDNIGHT MATT)      | KW | (BLACK MAMBA MATT)               |
| BR | (BRONZE)                 | PR | (PURPLE RAIN MATT)               |
| CK | (CELESTE BIANCHI)        | TO | (NATURAL TITANIUM)               |
| EG | (NATURAL CARBON/CELESTE) | UR | (ULURU ROCK MATT)                |



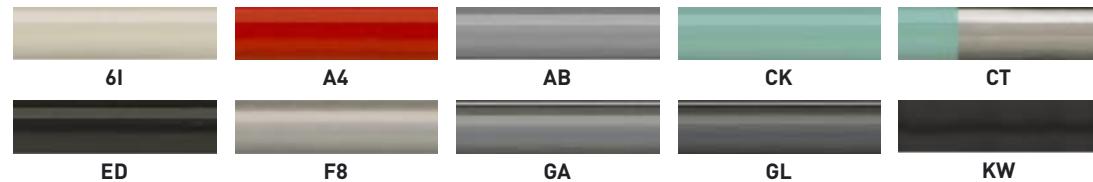
SPORT

- |    |                    |
|----|--------------------|
| GH | (METAL GREYHOUND)  |
| CK | (CELESTE BIANCHI)  |
| KW | (BLACK MAMBA MATT) |



CITY

- |    |                         |    |                      |
|----|-------------------------|----|----------------------|
| 6I | (WHITE SPECIAL)         | ED | (METAL BLACK)        |
| A4 | (RED REGULAR)           | F8 | (SILVER)             |
| AB | (SILVER GUN MATT)       | GA | (GRANITE MATT)       |
| CK | (CELESTE BIANCHI)       | GL | (TYPHOON GREY GLOSS) |
| CT | (CELESTE BIANCHI GLOSS) | KW | (BLACK MAMBA MATT)   |



## BIKE TRACE

To own a Bianchi bike means to belong to a big family. With the Bike Trace project, fans and owners can count on an exclusive tool which ensures, at any time, the full traceability and identification of any Bianchi RC (Reparto Corse) bicycle. You just need to log on the [www.bianchi.com](http://www.bianchi.com) website, click on the Bike Owners section and register your bicycle by filling in the Trace Form with your personal data and those of the frame. The recording of this data will make it possible to trace back the history of any bike by monitoring the history of the text and also its 'sporting life'. The **Quality Control Report** coupon, which can be found in each packaging and includes all the necessary information for the product registration, is fundamental.

In the event of loss of the coupon, it is however possible to find the necessary data directly on the frame itself. The frame code is marked on the bottom bracket. This service guarantees the total traceability of the bicycle providing a precious support in case of theft and loss. **Thanks to Bike Trace your Bianchi is yours even more.**



BIKE TRACE

**AUSTRALIA**

BIKESPORTZ IMPORTS PTY LTD  
23C-23D INDUSTRIAL DRIVE  
BRAESIDE 3195 VICTORIA - AUSTRALIA  
TEL: +61 3 9586 1600  
FAX: +61 3 9587 6951  
E-MAIL: BIANCHI@BIKESPORTZ.COM.AU

**AUSTRIA**

CYCLEUROPE INDUSTRIES S.A.  
161, RUE GABRIEL PERI  
F-10104 ROMILLY SUR SEINE - FRANCE  
TEL: +43 [0]316 58 40 64  
FAX: +43 [0]316 81 88 77  
E-MAIL: INFO@CYCLEUROPE.AT

**BELGIUM - LUXEMBOURG**

CYCLEUROPE INDUSTRIES S.A.  
161, RUE GABRIEL PERI - BP 108  
F-10104 ROMILLY SUR SEINE - FRANCE  
TEL: +33 3 25 39 39 39  
FAX: +33 3 25 39 37 55  
E-MAIL: CYCLEUROPE@CYCLEUROPE.FR  
FOR FLEMMISH CUSTOMERS:  
TEL: +31 53 4280818  
E-MAIL: KITTY.SCHANSSEMA@CYCLEUROPE.FR,  
BIANCHI@SKYNET.BE

**BRAZIL**

ABDUCH NADIA ME  
RUA TITO, 1641 VILA ROMANA  
05051-000 SAO PAULO - BRAZIL  
TEL: +55 11 36419566  
FAX: +55 11 38321506  
E-MAIL: BIANCHIBRASIL@TERRA.COM.BR

**CANADA**

BIANCHI USA INC.  
21325A CABOT BOULEVARD  
HAYWARD, CALIFORNIA 94545 USA  
TEL: +1 510 264 1001  
FAX: +1 510 856 0338  
E-MAIL: INFO@BIANCHIUSA.COM

**CZECH REPUBLIC**

LOM TRADING  
POD JAROVEM 2035/26  
13000 PRAHA 3 - CZECH REPUBLIC  
TEL/FAX: +42 0274 819287  
E-MAIL: EVA.LOMOVA@LOMTRADING.CZ

**CYPRUS**

POLYS POUIMBOURIS & CO. LTD  
MAKEDONITISSIS 84 ABC  
STROVOLOS - NICOSIA - CYPRUS  
TEL: +357 22 511171  
FAX: +357 22 492024  
E-MAIL: POLYSP@CYTANET.COM.CY

**DENMARK**

CYCLEUROPE DANMARK  
BØRGE KILDEMOES CYKELFABRIK A/S  
ÅLBANIVEJ 7 - NR. LYNDELSE  
DK 5792 ÅRSLEV - DENMARK  
TEL: +45 63 90 26 20  
FAX: +45 63 90 26 25  
E-MAIL: INFO@KILDEMOES.DK

**ESTONIA**

BALTI AUTOOSADE AS  
MUSTAMAE TEE 18A  
TALLINN 10617 - ESTONIA  
TEL: +372 6 200600  
FAX: +372 6 200699  
E-MAIL: RAGNARS@AUTOPARTS.EE

**FINLAND**

CYCLEUROPE FINLAND OY  
SARKATIE 1 A  
01720 VANTAA - FINLAND  
TEL: +358 9 849 2055  
FAX: +358 9 849 20544  
E-MAIL: INFO@CYCLEUROPE.FI

**FRANCE**

CYCLEUROPE INDUSTRIES S.A.  
161, RUE GABRIEL PERI - BP 108  
F-10104 ROMILLY SUR SEINE - FRANCE  
TEL: +33 3 25 39 39 39  
FAX: +33 3 25 39 37 55  
E-MAIL: CYCLEUROPE@CYCLEUROPE.FR

**GERMANY**

CYCLEUROPE INDUSTRIES S.A.  
161, RUE GABRIEL PERI  
F-10104 ROMILLY SUR SEINE - FRANCE  
TEL: +49 [0]1805 / 123-492  
FAX: +49 [0]1805 / 123-493  
E-MAIL: INFO@CYCLEUROPE.DE

**HONG KONG**

CHEUNG KEE CYCLE COMPANY  
NO 1B, G/F, FUK YIP BUILDING  
NO 12, KIK YEUNG ROAD  
YUEN LONG - N.T. HONG KONG SAR  
TEL: +852 24746794 AND 24753047  
FAX: +852 24494949  
E-MAIL: CKCYCLE@NETVIGATOR.COM

**INDONESIA**

BANDUNG S.A.  
J.L. INGGIT GARNASHI NO.111  
BANDUNG (INDONESIA)  
TEL: +62 22 5200559  
E-MAIL: PROBIKE@ATTGLOBAL.NET

**ISRAEL**

BECIDAN CYCLES  
146 AHUZA STREET  
RAA' NANA - ISRAEL  
TEL: +972-9-9549165  
FAX: +972-9-9549165  
E-MAIL: SRAM@012.NET.IL

**ITALY**

CYCLEUROPE ITALIA SRL  
VIA DELLE BATTAGLIE, 5  
24047 TREVIGLIO (BG) - ITALY  
TEL: +39 0363 3161  
FAX: +39 0363 303680  
E-MAIL: CYCLEUROPE@CYCLEUROPE.IT

**JAPAN**

CYCLEUROPE JAPAN CO. LTD.  
KAJKA BLDG. 2F-7-1 2 CHOME SOTOKANDA  
CHYODA-KU, TOKYO 101-0021  
TEL: +81 [03] 3255 2431  
FAX: +81 [03] 3255 2737  
E-MAIL: INFO@CYCLEUROPE.CO.JP

**KOREA**

DAEJIN INTERNATIONAL  
431-1 MANCHON-DONG  
SUSEONG-GU  
706-020 DAEGU  
TEL: +82-53-751-2216  
FAX: +82-53-751-2239  
E-MAIL: INFO.BIANCHI@YAHOO.CO.KR

**MALTA**

MAGRI CYCLES & SPARES  
148 B 155, EUCHARISTIC CONGRESS ROAD  
MST/07 MOSTA - MALTA  
TEL: +356 21 414399  
FAX: +356 21 436377  
E-MAIL: MAGRICY@NEXTGEN.NET.MT

**NETHERLANDS**

CYCLEUROPE INDUSTRIES SA  
MARSSIEDEN 29  
NL 7547 TE ENSCHEDE - THE NETHERLANDS  
TEL: +31 53 4280818  
FAX: +31 53 4280820  
E-MAIL: INFO@CYCLEUROPE.NL

**NEW ZEALAND**

KEEWEE IMPORTS LTD  
152 COLLINS ROAD  
HAMILTON NEW ZEALAND  
TEL: +64 078437772  
TEL: +64 078436999  
E-MAIL: LUKE@TORPEDO7.COM

**NORWAY**

CYCLEUROPE NORGE AS  
P.O. BOX 385  
N-4303 SANDNES - NORWAY  
TEL: +47 51 60 45 00  
FAX: +47 51 67 57 22  
E-MAIL: INFO@DBS.NO

**POLAND**

DEL SPORT SP. Z O.O.  
UL SYROKOMLI 16  
03-335 WARSZAWA - POLAND  
TEL: +4822 811 01 02  
FAX: +4822 674 41 72  
E-MAIL: DELSPORT@DELSPORT.COM.PL

**PORTUGAL**

VIEIRA GRACA & CA LDA  
LARGO DO TEATRO, 37  
2200-032 ALFERRAREDE ABRANTES - PORTUGAL  
TEL/FAX: +351 2 41 371902  
E-MAIL: VGRACA.ARMAGEM@SAPO.PT

**SINGAPORE**

KIAN HONG CYCLE PLE LTD  
3 KAKI BUKIT ROAD 1, B1-05 EUNOS  
TECHNOLINK - SINGAPORE 415935  
TEL: +65 67495787  
FAX: +65 67495789  
E-MAIL: SMIEK@KHCYCLE.COM.SG

**SLOVENIJA**

SKUPINA CLAAS D.D. LJUBLJANA  
ZALOŠKA CESTA 171  
1000 LJUBLJANA - SLOVENIJA  
TEL: +386 1 5484770  
FAX: +386 1 5484781  
E-MAIL: PETER.ZAVASNIK@CLAAS.SI

**SOUTH AFRICA**

CYCLING J&J (PTY) LTD  
169 MEERLUST STREET  
WILLOW GLEN - SOUTH AFRICA  
TEL: +27 [012] 807 5570  
FAX: +27 [012] 807 4267  
E-MAIL: INFO@JJCYCLING.CO.ZA

**SPAIN**

CONTORN S.L.  
C/JOSEPH ESTIVILL 64-68 BJ  
08027 BARCELONA - SPAIN  
TEL: [34] 93 209 03 44  
FAX: [34] 93 209 08 67  
E-MAIL: CONTORN@CONTORN.COM

**SWEDEN**

CYCLEUROPE SVERIGE AB  
BIRGER SVENSSONS VÄG 28  
S 43282 VARBERG - SVERIGE  
TEL: +46 [0]340 860 00  
FAX: +46 [0]340 896 72  
E-MAIL: INFO@CYCLEUROPE.SE

**SWITZERLAND / LIECHTENSTEIN**

ECCSA SA.  
VIA TESSERETE, 67  
CH-6942 SAVOSA - SWITZERLAND  
TEL: +41 91 260 17 17  
FAX: +41 91 260 17 18  
E-MAIL: CENTROBIANCHI@BIANCHI-SCHWEIZ.CH

**THAILAND**

UWC LTD. ( TCA )  
3656/35-36, 11TH FLOOR GREEN TOWER,  
RAMA 4 RD., KLONGTOEY  
BANGKOK 10110 - THAILAND  
TEL: +66 2 367 3470  
FAX: +66 2 367 3482 AND +66 2 367 3243  
E-MAIL: KANATE@UNIWAWE.NET

**UKRAINE**

MFK LTD  
GEROEV STALINGRADA STR.,156-A  
DNEPROPETROVSK 49057, UKRAINE  
TEL: +38 0567 885858  
E-MAIL: VELO@MFK.COM.UA

**UNITED KINGDOM**

CYCLEUROPE UK LTD - BIANCHI DIVISION  
21-23 MILL STREET  
MK 40 3EU BEDFORD - GREAT BRITAIN  
TEL: +44 1 234245929  
FAX: +44 1 234270562  
E-MAIL: BIANCHI.UK@CYCLEUROPE.COM

**UNITED STATES OF AMERICA**

BIANCHI USA INC.  
21325A CABOT BOULEVARD  
HAYWARD, CALIFORNIA 94545 USA  
TEL: +1 510 264 1001  
FAX: +1 510 856 0338  
E-MAIL: INFO@BIANCHIUSA.COM

# Bianchi



F.I.V. E. BIANCHI S.p.A. → Via delle Battaglie, 5 → IT-24047 Treviglio (BG) → Tel +39 0363 3161  
Fax +39 0363 303680 → www.bianchi.com → bianchi@bianchi.com